

Notification Appliances

B10 & B6 – Bells

Applications: Indoor / Outdoor



B10-115-R
10" Bell



B6-24AC-R
6" Bell

Product Overview

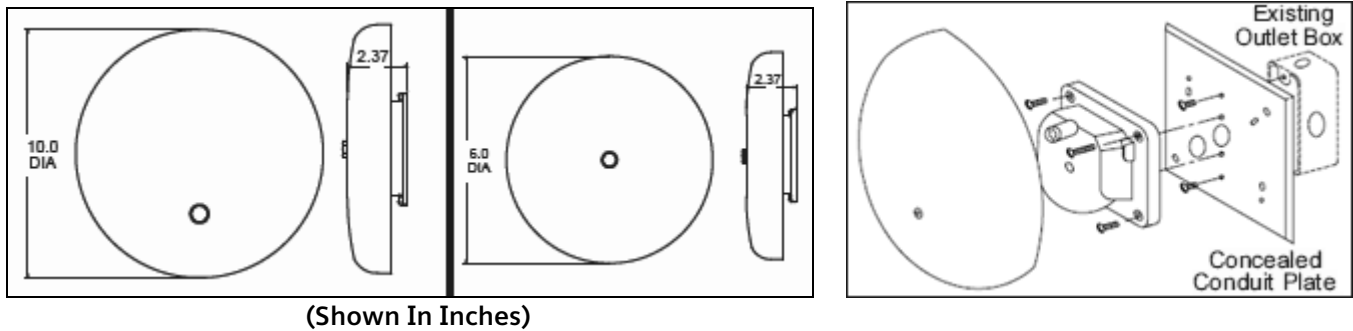
- High sound output with low current draw
- Low-frequency aluminum shells for better audibility through walls, doors and other structures
- 10" shell size @ 115VAC
- 6" shell size @ 24VAC
- Integral RFI suppression to minimize induced noise on alarm lines
- Semi-flush mounting to standard 4" square back boxes or surface mounting to Siemens surface back boxes
- Polarized for DC supervision of NAC circuits with screw-terminal inputs for fast and secure In / Out field wiring of #12 to #18 AWG wire
- Attractive textured finish to enhance appearance and durability
- For combined audible (bell) and visual signaling, convenient retrofit assemblies (Series ST) are available with multi-Candela strobes
- @UL Listed & @ULC Listed
FM, CSFM & NYCFCF Approved
- Meets OSHA 29 Part 1910.165

Specifications

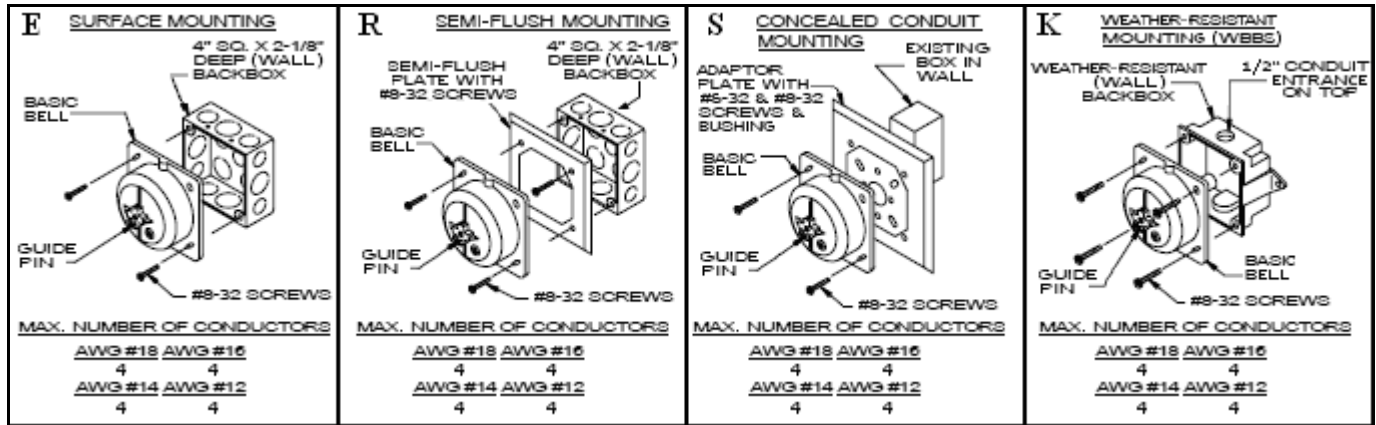
- Alarm signals shall be Siemens Series B10 and B6 Bells or approved equal
- Alarm appliances shall be @UL Listed for Fire Protective Service
- Sound output at 10 feet shall range up to 85 dBA anechoic
- Bells shall semi-flush mount to standard 4" square back boxes or surface mount to Siemens indoor BBS back box or outdoor WBBS back box
- Bells shall be polarized for line supervision and shall have screw terminals for In / Out field wiring
- Finish on all models shall be textured enamel
- All notification appliances shall be listed for "Special Applications"

'B' (Bells) Series Notification Appliances 2571

Mounting Diagram



Mounting Options



Technical Data

Model Numbers	Type	Gong Size	Rated Voltage (VRMS)	UL / ULC Ratings			
				UL / ULC Voltage Range (VRMS)	Maximum RMS Current (AMPS)	dBA at 10 Feet	
				ULC Anechoic	UL 464 Reverberant		
B6-24AC-R	AC	6"	24	16-33	0.866	85	85
B10-115-R	Vibrating	10"	115	96-132	0.117	88	88

Axis	ULC Directional Characteristics	
	dBA	Angle
Horizontal	-3dBA	88 degrees left and right
	-6dBA	90 degrees left and right
Vertical	-3dBA	88 degrees up and down
	-6dBA	90 degrees up and down

Details for Ordering — (Including Mounting Options & Agency Approvals)

Model	Part Number	Description	Mounting Options*	Agency Approvals			
				UL	ULC	FM	CSFM
B10-115-R	500-636001	10" Bell (115VAC, Red)	D,E,J,K,N,O,P,R,S	X	X	X	X
B6-24AC-R	500-636002	6" Bell (24VAC, Red)	D,E,J,K,N,O,P,R,S	X	X	X	X

X = listed / approved * = Refer to data sheet #: 2585 for detailed mounting options

- Typical dBA at 10 feet is measured in a reverberant dBA
- All models are provided with In / Out screw terminals
- Each bell mechanism is adjusted to operate only with the shell provided
- Do not mix shells and mechanisms during installation

Notice: This marketing data sheet is not intended to be used for system design or installation purposes. For the most up-to-date information, refer to each product's installation instructions.