

Manual call point

FDM365-RP



Manual call point with direct activation for the automatically addressed detector bus C-NET

- Manual call point for the addressed fire detection system Cerberus FIT FC360
- Direct activation: type 'A' according to EN 54-11
- Communication via C-NET detector line (addressed individually)
- For surface and recessed mounting
- With resettable plastic insert
- Two-wire installation for all cable types

Note

- This device is functional exclusively together with a Cerberus FIT fire control panel FC360.
- Specialist electrical engineering knowledge is required for installation.
- Only an expert is permitted to carry out installation work.

Features

- Integrated line separator: The defective part on the detector line is located via the fire control panel and isolated between two C-NET devices.
- Built-in alarm indicator (LED)
- Address automatically issued during commissioning
- Protected electronics
- Connection terminal DBZ1190-AB (accessory) can be mounted if shielded cables are used

Eco-friendly

- Environmentally friendly processing
- Reusable materials
- Electronic parts and synthetic materials can be easily separated

Use

- For the immediate manual activation of a fire alarm
- Suitable for indoor applications

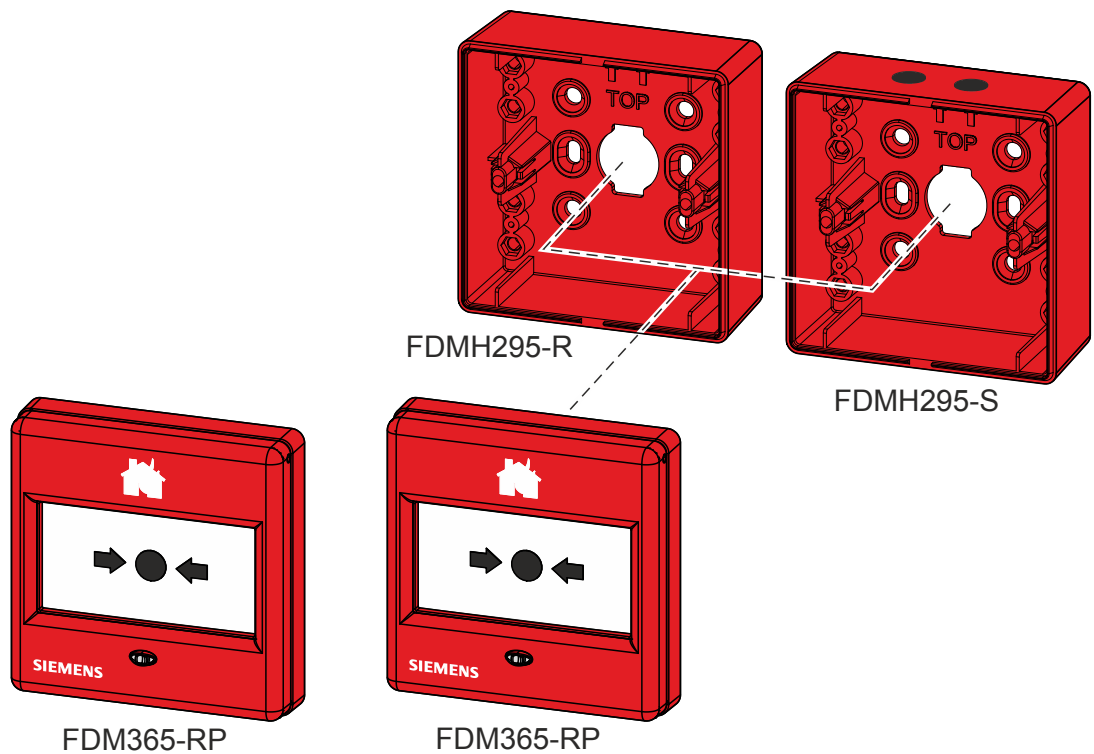
Types of mounting

The manual call point is suitable for surface mounting and recessed mounting.

Device / Accessory	Recessed mounting	Surface mounting
FDM365-RP with resettable plastic insert	X	X
FDMH295-R back box	–	X
FDMH295-S back box with holes and grommets		

X = device/accessory required for this type of mounting

– = not required for this type of mounting



- If you use back box FDMH295-R with the FDM365-RP, a hole with $\varnothing \leq 20$ mm must be drilled into the back box for the surface-mounted cable entry. Use metal cable gland M20 x 1.5 with metal counter nut M20 x 1.5 (accessories).

Function of the manual call point FDM365-RP

- Direct alarm activation by pressing the plastic insert
- Manual call point reset with key FDMK295
- Protective cover FDMC295 (accessory) protects the manual call point against the alarm being activated accidentally

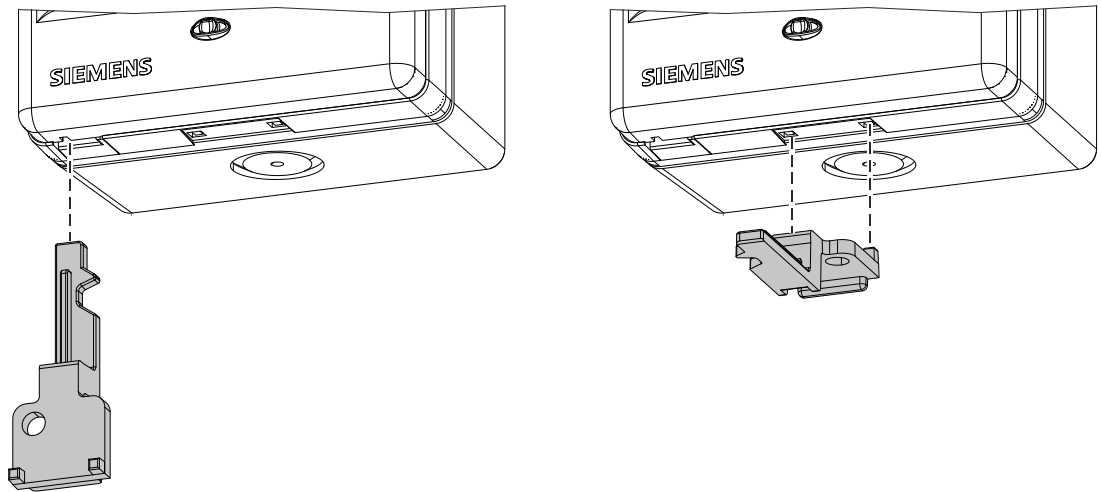


Fig. 1: Using key FDMK295 to reset the manual call point (left) and open the housing (right)

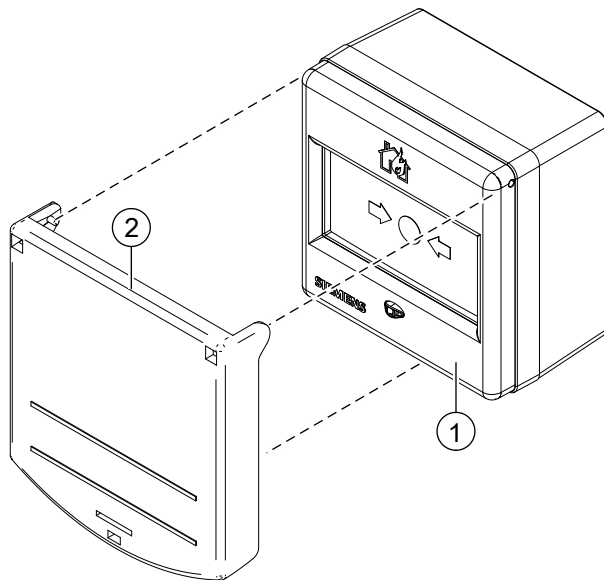


Fig. 2: Installing the protective cover FDMC295

1 Manual call point FDM365-RP

2 Protective cover FDMC295

Type Overview

Type	Designation	Order no.	Weight [kg]
FDM365-RP	Manual call point with plastic element	S54311-F111-A1	0.100
FDMH295-R	Back box	A5Q00013437	0.061
FDMH295-S	Back box with holes and grommets	A5Q00013438	0.061
–	Metal cable gland M20 x 1.5	A5Q00004478	0.036
–	M20 x 1.5 metal counter nut	A5Q00004479	0.006
DBZ1190-AB	2.5 mm ² , 3-pin connection terminal	BPZ:4942340001	0.001
Accessories			
FDMC295	Protective cover	A5Q00013440	0.036
Replacement material			
FDMK295	Key	A5Q00013448	0.001
FDMP295	Plastic insert 'Neutral'	A5Q00013445	0.008

Product documentation

Document ID	Title
A6V11706079	Technical Manual for manual call point FDM365-RP
A6V10882301	List of compatibility (for 'FC360' product line)

Related documents such as the environmental declarations, CE declarations, etc., can be downloaded from the following Internet address:

<https://siemens.com/bt/download>

Notes

Disposal



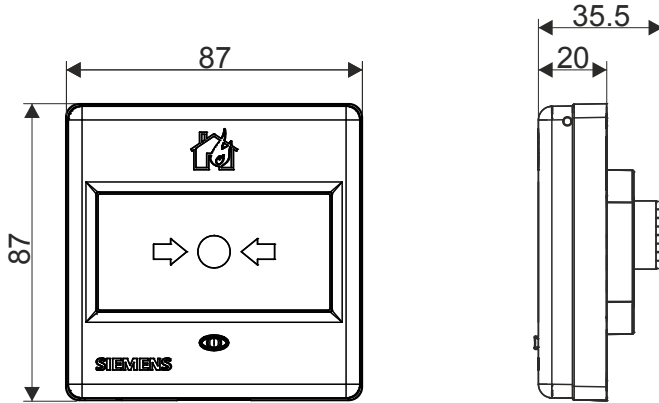
The device is considered an electronic device for disposal in accordance with the European Guidelines and may not be disposed of as domestic garbage.

- Dispose of the device through channels provided for this purpose.
- Comply with all local and currently applicable laws and regulations.

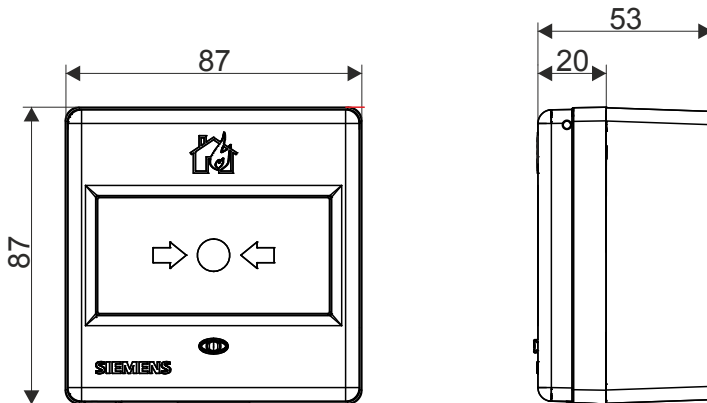
Technical data

C-NET operating voltage	DC 12...33 V
Operating current (quiescent)	180 µA
Operating temperature	-25 ... +70 °C
Storage temperature	-30 ... +75 °C
Air humidity	≤95 % rel.
Communication protocol	C-NET
Connection terminals	0.28...1.5 mm ²
Color	~RAL 3000, flame red
Design according to EN 54-11	Direct activation 'type A'
Environmental category according to EN 54-11:	In buildings
Protection category (IEC 60529):	IP44
Approvals: ● LPCB	126ap/12
System compatibility:	● C-NET: FC360

Manual call point FDM365-RP (recessed mounting)



Manual call point FDM365-RP with back box FDMH295-x (surface mounting)



When mounting protective cover FDMC295 on manual call points, the depth dimension increases by 7 mm accordingly.

Issued by
Siemens Switzerland Ltd
Smart Infrastructure
Global Headquarters
Theilerstrasse 1a
CH-6300 Zug
+41 58 724 2424
www.siemens.com/buildingtechnologies

© Siemens Switzerland Ltd, 2020
Technical specifications and availability subject to change without notice.

Document ID A6V11706086_en--_b
Edition 2021-02-05