

Notification Appliances

(MB) – Motor Bells & (ST) – Retro Plate**Applications:** Indoor / Outdoor

MBDC-6
Motor Bell





MBDC-10
Motor Bell



ST-MC-RETRO-R
Plate

Product Overview

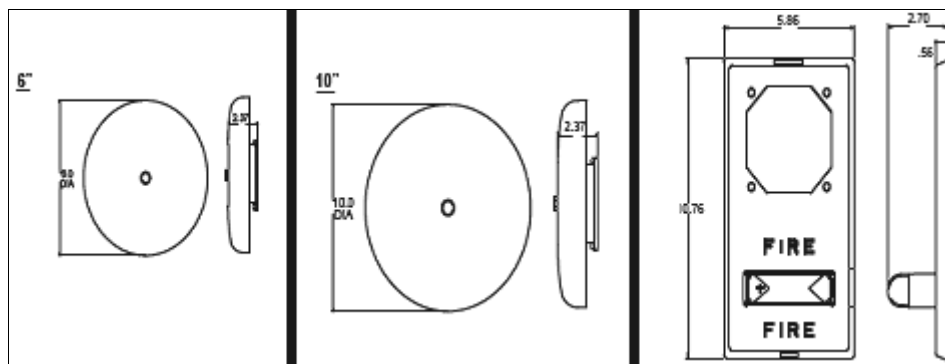
- High sound output with low current draw
- Low-frequency aluminum shells for better audibility through walls, doors and other structures
- 6" and 10" shell sizes in 24 VDC models
- Integral RFI suppression to minimize induced noise on the NAC circuit
- Mounting options for surface, semi-flush, outdoor, and concealed conduit installation
- Built-in trim plate makes semi-flush mounting simpler and less expensive
- Screw terminals permit fast In / Out field wiring of #12 to 18 AWG wire
- Polarized for DC supervision of NAC circuits
- Operates on filtered or unfiltered DC
- For combined audible (bell) and visual signaling, convenient retrofit plate assemblies are available with multi-Candela strobes
- UL Listed & ULC Listed
FM, CSFM & NYCFD Approved
- Meets OSHA 29 Part 1910.165

'MB', 'ST' Series Notification Appliances 2570

Specifications

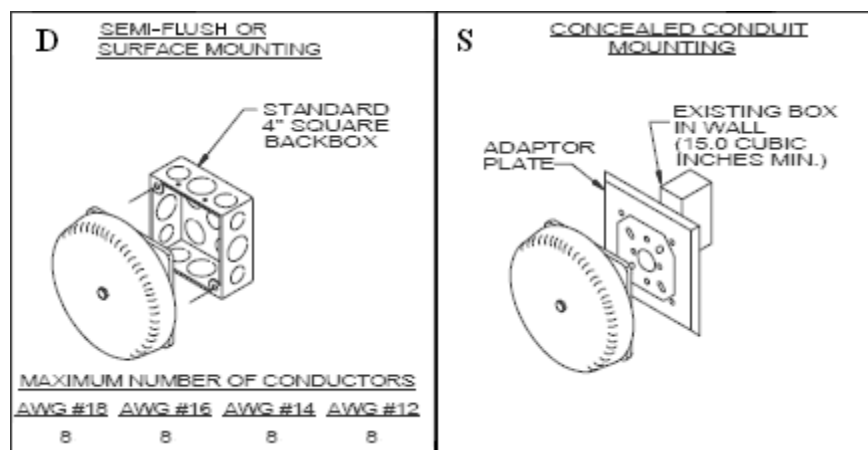
- Alarm appliances shall be Siemens Series MB vibrating Motor Bells or approved equal
- Alarm appliances shall be ®UL Standard 464 Listed for Fire Protective Service
- Shells shall be aluminum in 6" or 10" diameter
- Sound output at 10 feet shall be 92 dBA anechoic
- Bells shall incorporate a permanent magnet motor and suppression circuitry to minimize RFI
- Bells shall include a built-in trim plate for semi-flush mounting to a standard 4" square back box, or surface mounting to Siemens indoor BBS back box or outdoor WBBS back box
- Retrofit plates Siemens Series ST with multi-Candela strobes shall be used for bell-strobe applications
- All bell models shall be polarized for line supervision and shall have screw terminals for In / Out field wiring of #12 to #18 AWG wire
- Operating voltage range shall be 16-33 volts VDC
- Finish on all models shall be textured enamel
- All notification appliances shall be listed for "Special Applications"

Mounting Diagram



(Shown In Inches)

Mounting Options



Technical Data

UL/ULC Listed Models and Ratings									
Model	Shell Size	UL Voltage Range (VDC/VRMS)	ULC Voltage Range (VDC/VRMS)	UL / ULC Maximum RMS Current		Anechoic dBA Per ULC	Reverberant dBA Per UL 464		
				DC	FWR		Min.	Nom.	Max.
MBDC-6	6"	16.0 - 33.0	16.0 - 33.0	0.040	0.056	92	82	85	88
MBDC-10	10"	16.0 - 33.0	16.0 - 33.0	0.040	0.056	92	82	88	91

UL/ULC Ratings						
Model	Operating Voltage (Special Application) [Per UL 1971] (VDC/VRMS)	Voltage Range [Per ULC-S526-02] (VDC/VRMS)	Strobe Candela (cd)			
ST-MC-RETRO-R	16.0-33.0	20.0 - 31.0	15	30	75	110

UL Current Ratings Maximum RMS Current (AMPS)					
Voltage		15cd	30cd	75cd	110cd
DC	16-33VDC	0.064	0.098	0.175	0.233
FWR	16-33VRMS	0.108	0.164	0.268	0.368

Details for Ordering – (Including Mounting Options & Agency Approvals)

Agency Approvals

Model	Part Number	Description	Mounting Options*	UL	ULC	FM	CSFM
MBDC-6	500-688449	6-inch Motor Bell	D,E,J,K,N,O,P,R,S	X	X	X	X
MBDC-10	500-688448	10-inch Motor Bell	D,E,J,K,N,O,P,R,S	X	X	X	X
ST-MC-RETRO-R	500-636103	Strobe Retro Plate	D,E,Z	X	X	X	X

X = listed / approved

* = Refer to data sheet #: 2585 for detailed mounting options.

Notice: This marketing data sheet is not intended to be used for system design or installation purposes. For the most up-to-date information, refer to each product's installation instructions.