



Symaro™

Immersion Temperature Sensors

QAE2164...
QAE2174...

- Active sensors for acquiring the water temperature in pipes and tanks
- Operating voltage AC 24 V or DC 13.5...35 V
- Signal output DC 0...5 V, DC 0...10 V or 4...20 mA

Use

The sensors are for use in ventilation and air conditioning plants for:

- Controlling or limiting the flow temperature
- Limiting the return temperature
- Controlling the DHW temperature

Type summary

Type reference	Outfit	Immersion length	Operating voltage	Output signal
QAE2164.010	With clamp for protection pocket ¹⁾	100 mm	AC 24 V ± 20 % / DC 13.5...35 V	DC 0...5 V DC 0...10 V 4...20 mA (3-wire)
QAE2164.015	With clamp for protection pocket ¹⁾	150 mm	AC 24 V ± 20 % / DC 13.5...35 V	DC 0...5 V DC 0...10 V 4...20 mA (3-wire)
QAE2174.010	With clamp for protection pocket ¹⁾	100 mm	DC 13.5...35 V	4...20 mA (2-wire)
QAE2174.015	With clamp for protection pocket ¹⁾	150 mm	DC 13.5...35 V	4...20 mA (2-wire)

¹⁾ Protection pocket required (not included as standard).

Ordering

When ordering, please give name and type reference, e.g.:
 Immersion temperature sensor **QAE2164.010**

Equipment combinations

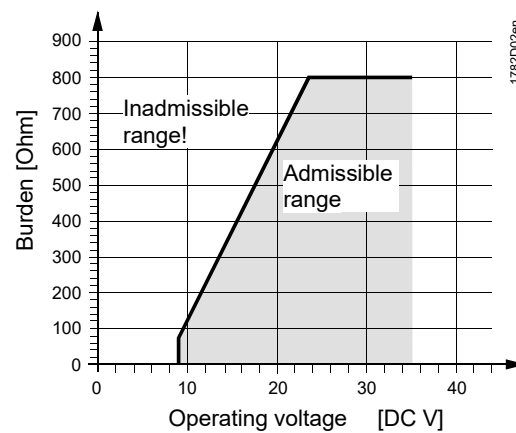
All systems or devices that are capable of acquiring and handling the sensor's DC 0...5 V, DC 0...10 V or 4...20 mA output signal.

Function

The immersion temperature sensor acquires the temperature of the medium via its sensing element whose resistance value changes as a function of the temperature. This change is converted to a DC 0...5 V, DC 0...10 V or 4...20 mA output signal, depending on the type of sensor. The output signal corresponds to the selected temperature range.

Burden diagram (QAE2174...)

Output signal, terminal I1

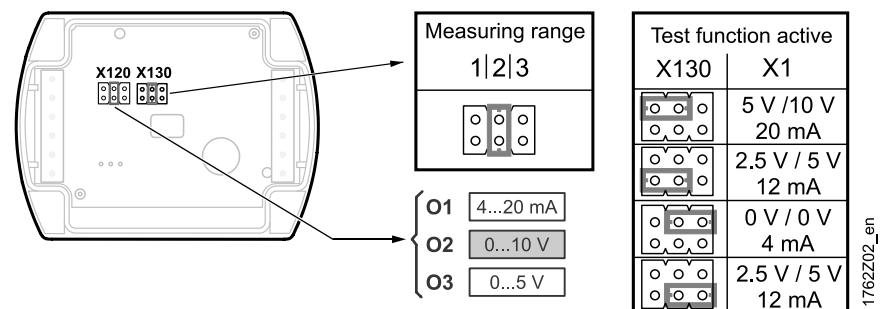


Mechanical design

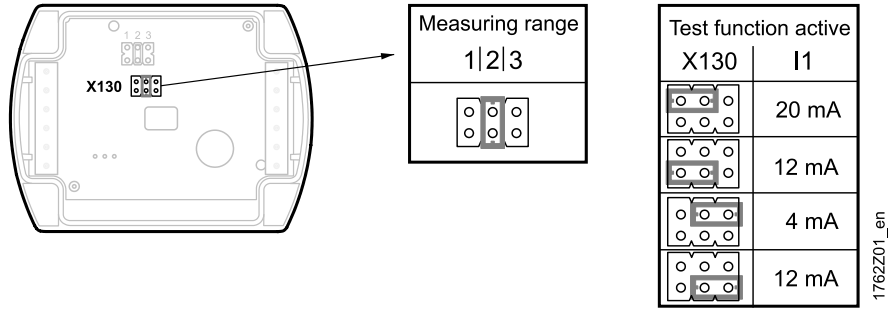
The immersion temperature sensor consists of housing, printed circuit board, connection terminals and immersion rod. The 2-sectional housing is comprised of base and removable cover (snap-on design). The measuring circuit and the setting element are located on the printed circuit board inside the cover, the connection terminals on the base.

Cable entry is made via the M16 cable entry gland (IP54) supplied with the sensor which can be screwed into the housing. Immersion rod and housing are rigidly connected.

Setting element QAE2164...



QAE2174...



The setting element is located inside the cover. It consists of 6 pins and a shorting plug. It is used to select the required measuring range and to activate the test function.

The different plug positions have the following meaning:

- *For the temperature measuring range:*
 Shorting plug in the left position (R1) = 0... 100 °C,
 Shorting plug in the mid position (R2) = – 10...+ 120 °C (factory setting),
 Shorting plug in the right position (R3) = 0.. 70 °C
- *For activating the test function:*
 Shorting plug in the horizontal position: The values according to the table "Test function active" will be made available at the signal output.

Fault

QAE2164...

In the event of fault, the output signal will reach 0 V (0 mA) after 60 seconds.

QAE2174...

In the event of fault, the output signal will reach 4 mA after 60 seconds.

Accessories (not included with standard delivery)

Name	Material	Nominal pressure	Type of sealing	Immersion length	Type reference
Compression fitting	V4A (1.4571)	PN16	Threaded with sealing means	---	AQE2102
Protection pocket	Brass (CuZn37)	PN10	Threaded with sealing means	100 mm	ALT-SB100
Protection pocket	Brass (CuZn37)	PN10	Threaded with sealing means	150 mm	ALT-SB150
Protection pocket	V4A (1.4571)	PN16	Threaded with sealing means	100 mm	ALT-SS100
Protection pocket	V4A (1.4571)	PN16	Threaded with sealing means	150 mm	ALT-SS150
Protection pocket	V4A (1.4571)	PN40	With flange for flat seal	100 mm	ALT-SSF100
Protection pocket	V4A (1.4571)	PN40	With flange for flat seal	150 mm	ALT-SSF150

For other protection pocket accessories, refer to Data Sheet N1194.

Engineering notes

If the nominal pressure exceeds PN10, protection pockets made of stainless steel (V4A) are required. The temperature measuring range must be selected on the sensor, if required.

To power the sensor, a transformer for safety extra low-voltage (SELV) with separate windings for 100 % duty is required. When sizing and electrically protecting the transformer, local safety regulations must be observed.

When sizing the transformer, the power consumption of the temperature sensor must be taken into consideration. For correct wiring, refer to the Data Sheets of the devices with which the sensor is used.

The permissible cable lengths must be observed.

Cable routing and cable selection

When laying the cables, it must be observed that the longer the cables run side by side and the smaller the distance between them, the greater the electrical interference. Twisted pair cables are required for the secondary supply lines and the signal lines.

Mounting and installation notes

Depending on use, the sensor should be located as follows:

- For flow temperature control (heating flow):
 - Directly after the pump if the pump is located in the flow
 - 1.5 to 2 m after the mixing valve if the pump is located in the return
- For return temperature limitation:

In the return at a location where the temperature can be correctly acquired
 The sensor should be installed in an elbow such that the immersion rod or the protection pocket faces the direction of flow. The water must be well mixed where the temperature is acquired. This is downstream from the pump or, if the pump is mounted in the return, at least 1.5 m after the mixing point.

The sensor should be mounted such that the cable does not enter from the top.

With all types of sensors, the immersion length must be a minimum of 60 mm!

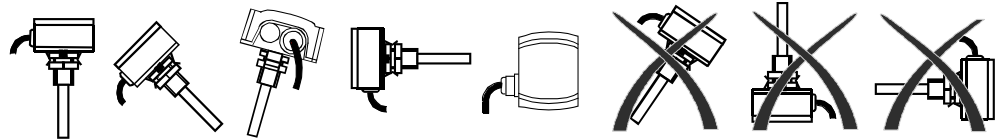
The sensor must not be covered by lagging.

To fit the sensor, a threaded fitting or T-piece G ½ must be welded into the pipe.

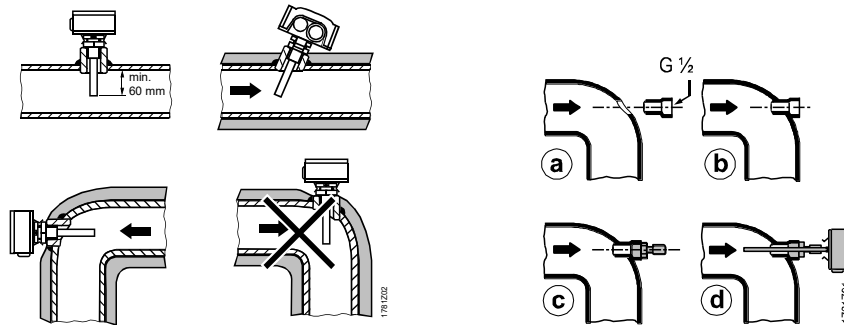
Mounting positions

permitted:

not permitted:



Mounting



Note!

For sensors with non-sealing threaded nipples G ½, sealing means must be used with the threaded connection (e.g. hemp, Teflon tape or similar).
 Mounting Instructions are printed on the packaging.

Disposal



This symbol or any other national label indicate that the product, its packaging, and, where applicable, any batteries may not be disposed of as domestic waste. Delete all personal data and dispose of the item(s) at separate collection and recycling facilities in accordance with local and national legislation.

For additional details, refer to www.siemens.com/bt/disposal.

Technical data

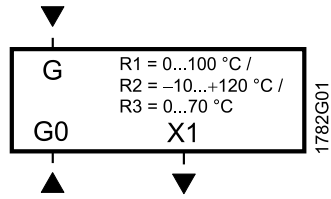
Power supply	Power supply	Safety extra-low voltage (SELV)
	Operating voltage (QAE2164.xxx)	AC 24 V \pm 20%, or DC 13.5...35 V or AC/DC 24 V class 2 (US)
	Operating voltage (QAE2174.xxx)	DC 13.5...35 V or DC 24 V class 2 (US)
	Frequency	50/60 Hz at AC 24 V
	External supply line protection (EU)	Fuse slow max. 10 A or Circuit breaker max. 13 A Characteristic B, C, D according to EN 60898 or Power source with current limitation of max. 10 A
	Power consumption (QAE2164.xxx)	At "U" output signal "I" output signal Max. <1.6 VA Max. <2.0 VA
	Power consumption (QAE2174.xxx)	\leq 1 VA
Cable lengths for the measuring signal	Max. perm. cable lengths	refer to Data Sheet of the device handling the signal
Functional data	Measuring ranges	-10...+120 °C (R2 = factory setting), 0...100 °C (R1), 0...70 °C (R3)
	Immersion length	refer to "Type summary"
	Sensing element	Pt 1000 class B to DIN EN 60 751
	Time constant	
	With pocket	30 s at 2 m/s
	Without pocket	8 s at 2 m/s
	Measuring accuracy in the range of	
	0...70 °C	\pm 1 K
	-40...+120 °C	\pm 1.4 K
	Output signal, linear (terminal X1: QAE2164.xxx)	DC 0...5 V, DC 0...10 V $\hat{=}$ -10...+120 °C (factory setting) or 0...100 °C or 0...70 °C, max. \pm 1 mA 4...20 mA $\hat{=}$ -10...+120 °C (factory setting) or 0...100 °C or 0...70 °C, max. \pm 1 mA, max. 500 Ohm
	Output signal, linear (terminal I1: QAE2174.xxx) Burden	4...20 mA $\hat{=}$ -10...+120 °C (factory setting) or 0...100 °C or 0...70 °C refer to "Function"
	Nominal pressure	PN 16
Degree of protection	Protection degree of housing	IP54 according to EN 60529
	Protection class	III according to EN 60730-1
Electrical connections	Connection terminals for	1 x 2.5 mm ² or 2 x 1.5 mm ²
	Cable entry gland (enclosed))	M 16 x 1.5
Environmental conditions	Operation	IEC 721-3-3
	Climatic conditions	class 3K5
	Temperature (housing)	-40...+70 °C
	Humidity (housing)	5...95 % r.h.
	Transport	IEC 721-3-2
	Climatic conditions	class 2K3
	Temperature	-25...+70 °C
	Humidity	<95 % r.h.
	Mechanical conditions	class 2M2

Materials and colors	Base	polycarbonate, RAL 7001 (silver-grey)
	Cover	polycarbonate, RAL 7035 (light-grey)
	Immersion rod	stainless steel to DIN 17 440 steel 1.4571
	Cable entry gland	PA, RAL 7035 (light-grey)
	Packaging	corrugated cardboard
Directives and Standards	Product standard	EN 60730-1 Automatic electrical controls for household and similar use
	Electromagnetic compatibility (Applications)	For use in residential, commerce, light-industrial and industrial environments
	EU Conformity (CE)	CE1T1782xx *)
	RCM Konformität	8000078879 *)
	UL	UL 873, http://ul.com/database
	UKCA	A5W00188720A *)
	Environmental compatibility	The product environmental declaration CE1E1762*) contains data on environmentally compatible product design and assessments (RoHS compliance, materials composition, packaging, environmental benefit, disposal).
Weight	Incl. packaging	
	QAE2164.010	approx. 0.14 kg
	QAE2164.015	approx. 0.16 kg
	QAE2174.010	approx. 0.14 kg
	QAE2174.015	approx. 0.16 kg

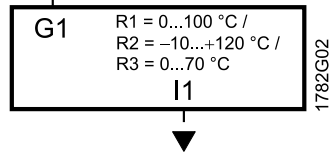
*) The documents can be downloaded from <http://siemens.com/bt/download>.

Connection terminals

QAE2164...

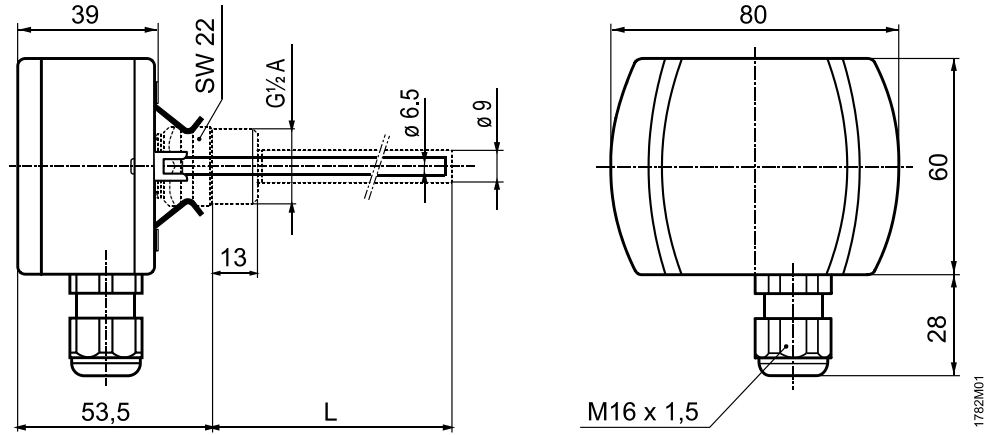


QAE2174...



- G, G0 Operating voltage AC 24 V (SELV) or DC 13.5...35 V
G1 Operating voltage DC 13.5...35 V
I1 Signal output 4...20 mA
for measuring range -10...+120 °C (factory setting), 0...100 °C or 0...70 °C
X1 Signal output DC 0...5 V, DC 0...10 V, 4...20 mA
for measuring range -10...+120 °C (factory setting), 0...100 °C or 0...70 °C

Dimensions



Type	L
QAE2164.010	100
QAE2164.015	150
QAE2174.010	100
QAE2174.015	150

Dimensions in mm