

ACVATIX™

Electro-hydraulic actuators for valves

SKD..



with 20 mm stroke

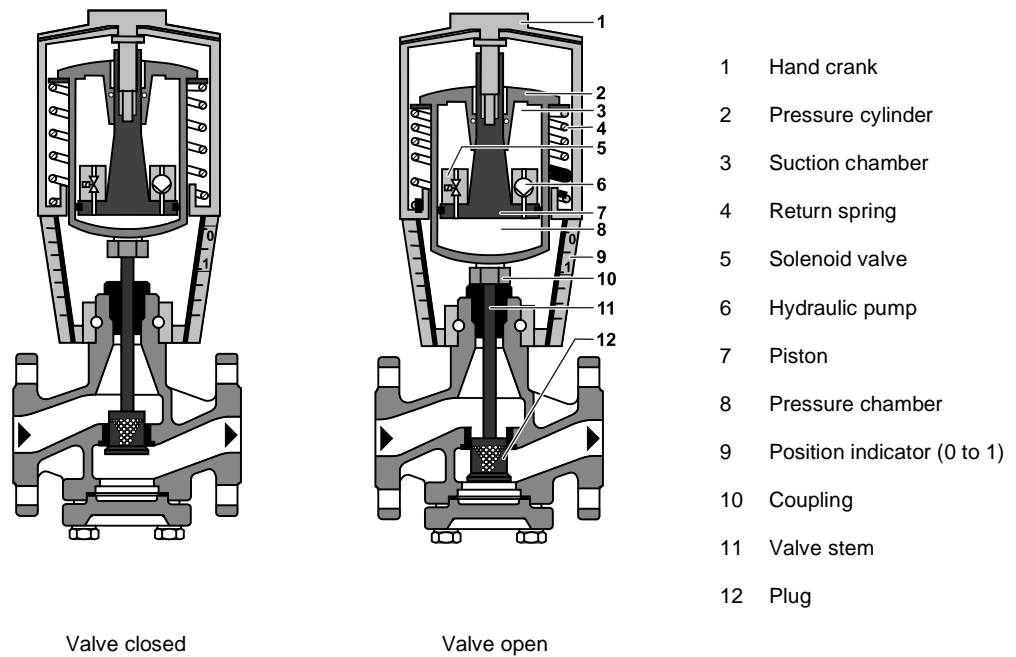
- SKD32.. operating voltage AC 230 V, 3-position control signal
- SKD82.. operating voltage AC 24 V, 3-position control signal
- SKD6.. op. voltage AC 24 V, control signal DC 0...10 V, 4...20 mA, 0...1000 Ω
 - SKD62/MO RS-485 for Modbus RTU communication
 - Selectable flow characteristic, position feedback, stroke calibration, LED status indication, override control
 - SKD62UA with selection of direction of operation, stroke limit control, sequence control with adjustable start point and operating range, operation of frost protection monitors QAF21.. and QAF61..
- Positioning force 1000 N
- For direct mounting on valves; no adjustments required
- With hand crank and position indication; optionally with/out spring-return function
- Optional functions with auxiliary switches, potentiometer, stem heater and mechanical stroke inverter
- SKD..U are UL-approved

Use

For the operation of Siemens 2-port and 3-port valves of the series VVF.., VVG.., VXF.. and VXG.. with 20 mm stroke as control and safety shut-off valves in heating, ventilation and air conditioning plants.

Technical design

Principle of electro-hydraulic actuators



Opening the valve

The hydraulic pump [6] forces oil from the suction chamber [3] into the pressure chamber [8], thereby moving the pressure cylinder [2] downwards. The valve stem [11] retracts and the valve opens. Simultaneously, the return spring [4] is compressed.

Closing the valve

Activating the solenoid valve [5] allows the oil in the pressure chamber to flow back into the suction chamber. The compressed return spring moves the pressure cylinder upwards. The valve stem extends and the valve closes.

Manual operation mode

Turning the hand crank [1] clockwise moves the pressure cylinder downwards and the valve opens. Simultaneously, the return spring [4] is compressed.

In manual operation mode, the positioning signals Y and Z can further open the valve, but cannot close to the 0 % stroke position of the valve. To retain the manually set position, switch off the power supply or disconnect the positioning signals Y and Z. The red indicator marked "MAN" is visible.



When setting the controller to manual operation for a longer period of time, we recommend adjusting the actuator with the hand crank to the desired position. This guarantees that the actuator remains in this position for that period of time.

Attention: Do not forget to switch back to automatic operation after the controller is set back to automatic control.

Automatic operation mode

For automatic operation, turn the hand crank [1] counter-clockwise to the end stop - position 0 %. The red indicator marked "MAN" is no longer visible.

Minimum volume flow

The actuator can be manually adjusted to a stroke position > 0 %, allowing its use in applications requiring a constant minimum volume flow.

SKD32.., SKD82.. 3-position control signal

The actuator is controlled by a 3-position signal via either terminal Y1 or Y2, and generates the desired stroke, which is transferred to the valve stem:

- Voltage on Y1: Piston extends Valve opens
- Voltage on Y2: Piston retracts Valve closes
- No voltage on Y1 and Y2: Piston and valve stem remain in the respective positions

SKD62.., SKD60.. Y positioning signal - DC 0...10 V and/or 0...1000 Ω, DC 4...20 mA

The actuator is controlled either via terminal Y or override control Z. The positioning signals generate the desired stroke, which is transferred to the valve stem, by means of the above described principle of operation:

- Signal Y increasing: Piston extends Valve opens
- Signal Y decreasing: Piston retracts Valve closes
- Signal Y constant: Piston and valve stem remain in the respective positions
- Override control Z: See "Functions [▶ 7]"

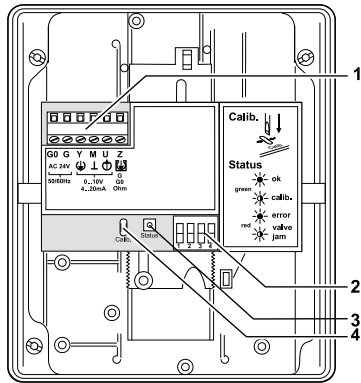
Frost protection thermostat, frost protection monitor

A frost protection thermostat can be connected to the SKD6.. actuator.

The added signals from the frost protection monitors QAF21.. and QAF61.. require the use of SKD62UA actuators. Notes on special programming of the electronics can be found in "Electronics [▶ 5]".

Connection diagrams for operation with frost protection thermostat or monitor can be found in "Connection diagrams [▶ 27]".

SKD60.. 1)

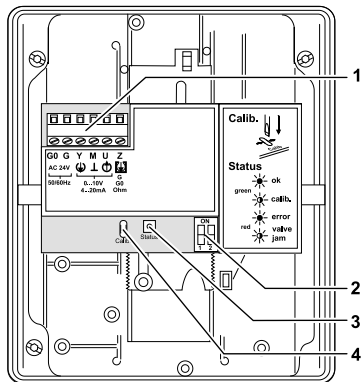


- 1 Connection terminals
- 2 DIL switches
- 3 LED status indication
- 4 Stroke calibration

1) From version ..L onward





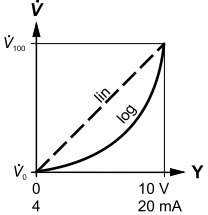
DIL switches								
	Direction of operation		Fail-in-place (behavior in case of control signal loss) **		Positioning signal Y Positioning feedback U		Flow characteristic	
ON		Reverse acting		Stops at current position		DC 4...20 mA		lin = linear
OFF *		Direct acting		Closes		DC 0...10 V		log = equal percentage
					Relationship between positioning signal Y and volume flow			
* Factory setting: all switches "OFF"								
** Only considered when DIL switch 3 "ON" (positioning signal = DC 4...20 mA)								

SKD60.. 2), SKD62..

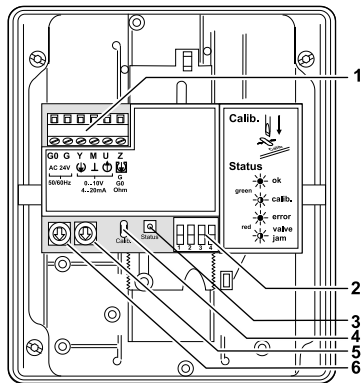


- 1 Connection terminals
- 2 DIL switches
- 3 LED status indication
- 4 Stroke calibration



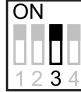
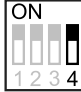


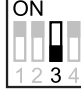

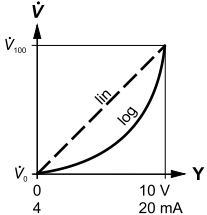
2) Up to and including version ..K

DIL switches				
	Positioning signal Y Positioning feedback U		Flow characteristic	
ON		DC 4...20 mA		lin = linear
OFF *		DC 0...10 V		log = equal percentage
			Relationship between positioning signal Y and volume flow	
* Factory setting: all switches "OFF"				

SKD62UA



- 1 Connection terminals
- 2 DIL switches
- 3 LED status indication
- 4 Stroke calibration
- 5 Rotary switch UP (*factory setting 0*)
- 6 Rotary switch LO

DIL switches								
	Direction of operation		Sequence control or stroke limit control		Positioning signal Y Positioning feedback U		Flow characteristic	
ON		Reverse acting		Sequence control Signal addition QAF21../QAF61..		DC 4...20 mA		lin = linear
OFF *		Direct acting		Stroke limit control		DC 0...10 V		log = equal percentage
					Relationship between positioning signal Y and volume flow			
* Factory setting: all switches "OFF"								

SKD62/MO

The Modbus converter is designed for analog control at 0...10 V.



Keep the analog signal setting on the actuator as is (switch 1 "OFF"); adjustment not permitted.

The actuators are factory set for equal-percentage characteristic.



Actuator-internal characteristic changeover must remain set to "log" (switch 2 "OFF").

Functions


Spring-return function

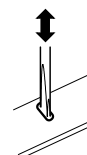
The SKD32.21, SKD32.51..., SKD82.51.. and SKD62.. actuators, which feature a spring-return function, incorporate a solenoid valve which opens if the control signal or power fails. The return spring causes the actuator to move to the "0 %" stroke position and closes the valve.

Stroke calibration

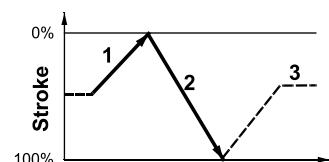
SKD60..., SKD62..., SKD62/MO

In order to determine the stroke positions 0 % and 100 % in the valve, calibration is required on initial commissioning.

- ✓ Actuator SKD6.. mechanically coupled with a Siemens valve.
- ✓  **Actuator must be in "Automatic operation mode" enabling stroke calibration to capture the effective 0 % and 100 % values.**
- ✓ AC 24 V power supply applied.
- ✓ Housing cover removed.
 1. Short-circuit contacts in calibration slot (e.g. with a screwdriver) and trigger calibration process.
 2. Actuator moves to "0 %" stroke position[1].
 - ⇒ Valve closes.
 3. Actuator moves to "100 %" stroke position [2].
 - ⇒ Valve opens.
- ⇒ Measured values are saved.
- ⇒ Normal operation:
 - Actuator moves to the position indicated by signal Y or Z [3].
 - LED lit steadily green, positioning feedback U active, values correspond to the actual positions.



LED flashes green, positioning feedback U inactive



A calibration error is indicated by the LED on the actuator lighting up red.








The LED on the SKD62/MO cable adapter flashes red during the calibration, as the positioning signal Y and the positioning feedback U do not correspond anymore. This is interpreted as a jam and thus indicated as an error.

If necessary, the calibration can be repeated any number of times.

LED status indication SKD60.., SKD62.., SKD62/MO


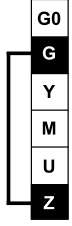
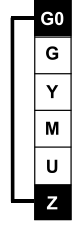
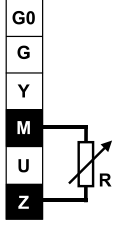
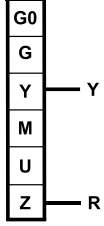
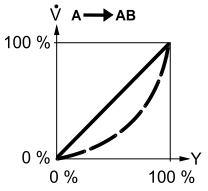
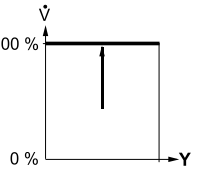
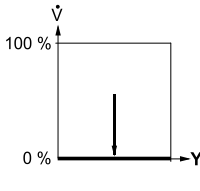
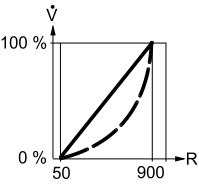
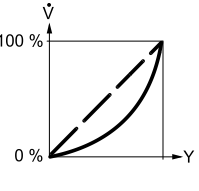
The dual-colored LED indicating the operational status is visible when the cover is removed.

LED indication	Function	Note, trouble shooting
 Lit green	Normal operation	Automatic operation; everything OK
 Flashing green	Stroke calibration in progress	Wait until calibration is finished (LED stops flashing, instead lit green or red)
 Lit red	Faulty stroke calibration	Check mounting; restart stroke calibration (by short-circuiting calibration slot)
	Internal error	Replace electronics
 Flashing red	Inner valve jammed	Trouble shoot, check valve, restart stroke calibration
 Off	No power supply	Check mains network, check wiring
	Electronics faulty	Replace electronics

The LED can exclusively assume the states shown above - continuously lit red or green, flashing red or green, or off/dark.

Override control Z SKD60.., SKD62..

The override control input Z can be operated in the following modes of operation:

Z mode					
	No function	Fully open	Closed	Override with 0...1000 Ω	Signal addition SKD62UA only
Connections					
Transfer					
	Equal percentage or linear characteristic			Equal percentage or linear characteristic	
	<ul style="list-style-type: none"> Z contact not connected 	<ul style="list-style-type: none"> Z contact connected directly to G 	<ul style="list-style-type: none"> Z contact connected directly to G0 	<ul style="list-style-type: none"> Z contact connected to M via resistor R Starting pos. at 50 Ω End pos. at 900 Ω 	<ul style="list-style-type: none"> Z contact connected to R of frost protection monitor QAF21.. or QAF61..
	<ul style="list-style-type: none"> Valve stroke follows Y input 	<ul style="list-style-type: none"> Y input has no effect 		<ul style="list-style-type: none"> Valve stroke follows Y and R(Z) signal 	



Shown operation modes are based on the factory setting "direct acting".

Y input has no effect in Z mode.

**Selection of direction of operation
SKD60.. (from version ..L), SKD62UA**

- With NC (= normally closed) valves, "direct acting" means that with a signal input of 0 V, the valve closes (applies to all Siemens valve listed in "Equipment combinations [▶ 13]").
- With NO (= normally open) valves, "direct acting" means that with a signal input of 0 V, the valve is open.

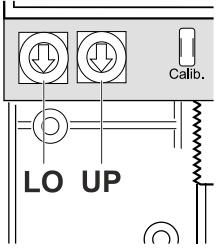
Direct acting		Reverse acting		Stroke
Input	DC 0...10 V DC 4...20 mA 0...1000 Ω	Input	DC 0...10 V DC 4...20 mA 0...1000 Ω	0 V 4 mA 0 Ω 10 V 20 mA 1000 Ω



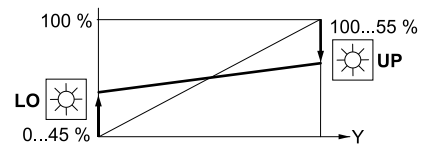
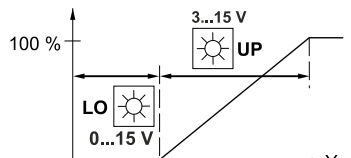
The mechanical spring-return function is not affected by the selection of the direction of operation.

**Stroke control with QAF21.. / QAF61.. signal addition
SKD62UA**

Setting the signal addition			
The operating range of the frost protection monitor QAF21.. or QAF61.. can be defined with rotary switches LO and UP.			
Position of LO	Sequence control start point	Position of UP	QAF21.. / QAF61.. operating range
0	→	1	QAF21..
0	→	2	QAF61..



Stroke limit control and sequence control SKD62UA

Stroke limit control setting	Sequence control setting
<p>The rotary switches LO and UP can be used to apply a lower and upper limit to the stroke, in increments of 3 %, up to a maximum of 45 %.</p>	<p>The rotary switches LO and UP can be used to determine the start point or the operating range of a sequence.</p>
	

Position of LO	Lower stroke limit	Position of UP	Upper stroke limit		Position of LO	Sequence control start point	Position of UP	Sequence control operating range
0	0 %	0	100 %		0	0 V	0	10 V
1	3 %	1	97 %		1	1 V	1	10 V *
2	6 %	2	94 %		2	2 V	2	10 V **
3	9 %	3	91 %		3	3 V	3	3 V ***
4	12 %	4	88 %		4	4 V	4	4 V
5	15 %	5	85 %		5	5 V	5	5 V
6	18 %	6	82 %		6	6 V	6	6 V
7	21 %	7	79 %		7	7 V	7	7 V
8	24 %	8	76 %		8	8 V	8	8 V
9	27 %	9	73 %		9	9 V	9	9 V
A	30 %	A	70 %		A	10 V	A	10 V
B	33 %	B	67 %		B	11 V	B	11 V
C	36 %	C	64 %		C	12 V	C	12 V
D	39 %	D	61 %		D	13 V	D	13 V
E	42 %	E	58 %		E	14 V	E	14 V
F	45 %	F	55 %		F	15 V	F	15 V

* Operating range QAF21.. (see "Stroke control with QAF21.. / QAF61.. signal addition", "Functions [► 8]")

** Operating range QAF61.. (see "Stroke control with QAF21.. / QAF61.. signal addition", "Functions [► 8]")

*** The smallest adjustment possible is 3 V; control with 0...30 V is only possible via Y.

Type summary

Type			Operating voltage	Positioning signal	Spring-return		Positioning time			
	Stock no.	Electronics			Function	time	Opening	Closing		
SKD32.21 ¹⁾	BPZ:SKD32.21	-	AC 230 V	3-position	yes	8 s	30 s	10 s		
SKD32.50 ¹⁾	BPZ:SKD32.50				-					
SKD32.51 ¹⁾	BPZ:SKD32.51				yes	8 s				
SKD82.50 ¹⁾	BPZ:SKD82.50		Standard		AC 24 V	DC 0...10 V 4...20 mA 0...1000 Ω	-		120 s	120 s
SKD82.50U ²⁾	BPZ:SKD82.50U									
SKD82.51 ¹⁾	BPZ:SKD82.51						yes	8 s		
SKD82.51U ²⁾	BPZ:SKD82.51U									
SKD60 ^{1), 3)}	BPZ:SKD60	Enhanced	AC 24 V	DC 0...10 V 4...20 mA 0...1000 Ω	-		30 s	15s		
SKD60U ^{2), 3)}	BPZ:SKD60U									
SKD62 ¹⁾	BPZ:SKD62				yes	15 s				
SKD62U ²⁾	BPZ:SKD62U									
SKD62UA ^{2), 4)}	BPZ:SKD62UA									
SKD62/MO ²⁾	S55195-A129	Standard		Modbus RTU						

¹⁾ Approval: CE

²⁾ Approval: CE, UL

³⁾ Additional functions (from version ..L): direction of operation, fail-in-place

⁴⁾ Additional functions: direction of operation, stroke control limit, sequence control, signal addition

Scope of delivery

The actuator, valve and accessories are supplied in separate packaging and not assembled prior to delivery.

Ordering example

Type / Stock no.	Designation	Quantity
SKD62/MO / S55195-A129	Actuator Modbus RTU	1
ASC1.6 / BPZ:ASC1.6	Auxiliary switch	1

Accessories

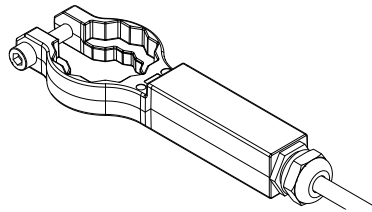
Type	Auxiliary switch	Double aux. switch	Potentiometer 1000 Ω	Stem heater AC 24 V	Mechanical stroke inverter
	ASC1.6	ASC9.3	ASZ7.3	ASZ6.6 [S55845-Z108]	ASK50
	Total max. 2				
SKD32..	-	Max. 1	Max. 1	Max. 1	Max. 1
SKD82..					
SKD6..	Max. 1	-	-		

SKD..

ASZ6.6 [S55845-Z108]

Stem heater

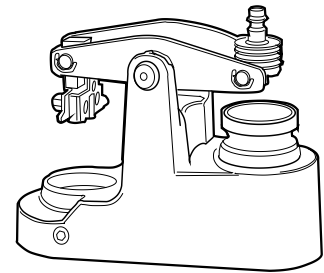
- For media below 0 °C
- Mount between valve and actuator



ASK50 [BPZ:ASK50]

Mechanical stroke inverter

- 0 % actuator stroke corresponds to 100 % valve stroke
- Mount between valve and actuator

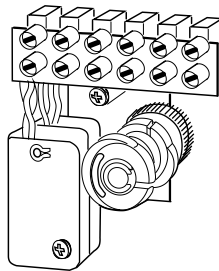


SKD32..
SKD82..

ASC9.3 [BPZ:ASC9.3]

Double auxiliary switch

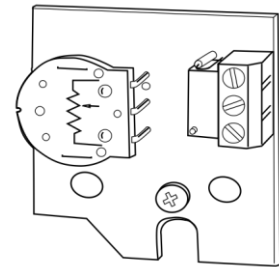
- Adjustable switching points



ASZ7.3 [BPZ:ASZ7.3]

Potentiometer

- 0...1000 Ω

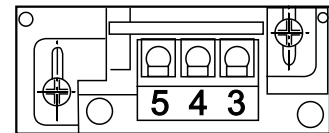


SKD60..
SKD62..

ASC1.6 [BPZ:ASC1.6]

Auxiliary switch

- Switching point 0...5 % stroke



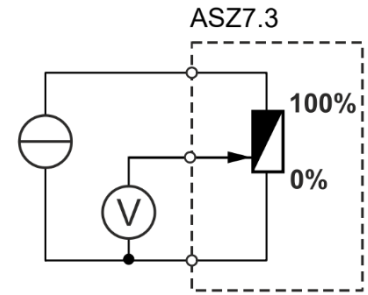


ASZ7.3

For the combination SIMATIC S5/S7 and use of positioning feedback, we recommend actuators with DC 0...9.8 V feedback signals.




The signal peaks occurring in the potentiometer ASZ7.3 may result in error messages on Siemens SIMATIC. This is not the case when combined with Siemens HVAC controllers. The reason is that SIMATIC has a higher resolution and faster response time.

Use the potentiometer as voltage divider on the 3-wire connection. Powering the potentiometer over the wiper may shorten the life cycle of the potentiometer. Signal peaks increase in frequency and scope over the lifespan in this operating mode.



For more information, see "Technical data [► 19]".

Spare parts

Actuator	Cover	Hand crank ¹⁾	Electronics (control unit)	
				
SKD32.21	410456348	426855048	-	
SKD32.50				
SKD32.51				
SKD82.50				
SKD82.50U				
SKD82.51				
SKD82.51U			466857598	
SKD60				
SKD60U				466857488
SKD62				
SKD62U				466857518
SKD62UA				
SKD62/MO				

¹⁾ Hand crank, blue with mechanical parts

2-port valves VV.. (control or safety shut-off valves)

Valve type		DN	PN class	k _{vs}	Data sheet
				[m ³ /h]	
VVF21.. ¹⁾	Flanged	25...80	6	1.9...100	N4310
VVF22..				2.5...100	N4401
VVF31.. ¹⁾				15...80	10
VVF32..		1.9...100	N4402		
VVF40.. ¹⁾		50	16		
VVF41.. ¹⁾				1.6...100	N4340
VVF42..				15...80	16
VVF52.. ¹⁾		15...50	25	0.16...25	N4373
VVF53..				0.16...40	N4405
VVF61..				15...50	40
VVF63..		0.2...36	A6V11459527		
VVG41..		Threaded	16		

Permissible differential pressure Δp_{\max} and closing pressure Δp_s : cf. relevant valve data sheets

¹⁾ Valves no longer available

3-port valves VX.. (control valves for mixing and distribution)

Valve type		DN	PN class	k _{vs}	Data sheet		
				[m ³ /h]			
VXF21.. ¹⁾	Flanged	25...80	6	1.9...100	N4410		
VXF22..				2.5...100	N4401		
VXF31.. ¹⁾				15...80	10	1.6...100	N4420
VXF32..		1.9...100	N4402				
VXF40.. ¹⁾		15...50	16			1.9...31	N4430
VXF41.. ¹⁾				1.6...100	N4440		
VXF42..				15...80	16	1.6...100	N4403
VXF53..		15...50	25	1.6...40	N4405		
VXF61..				15...50	40	1.9...31	N4482
VXF63..						0.2...36	A6V11459527
VXG41..		Threaded	16			1.6...40	N4463

Permissible differential pressure Δp_{\max} and closing pressure Δp_s : cf. relevant valve data sheets

¹⁾ Valves no longer available



Third-party valves with strokes between 6...20 mm can be motorized, provided they have "closed in de-energized state" fail-safe mechanisms and provided that the necessary mechanical coupling is available. For SKD32.. and SKD82.., the Y1 signal must be routed via an additional, freely adjustable end switch (ASC9.3) to limit the stroke.

We recommend that you contact your local Siemens office for the necessary information.

Product documentation

SKD..			Accessories	Mounting instructions	
Mounting instructions SKD..	M3250	74 319 0325 0	ASC1.6	G4563.3	4 319 5544 0
		74 319 0326 0 (Setting instructions standard electronics)	ASC9.3	G4561.3	4 319 5545 0
			ASK50	M4561.5	4 319 5549 0
		A5W00027551 (Mounting instructions Modbus converter)	ASZ7.3		74 319 0247 0
			ACT control unit	M4568	74 319 0554 0
		A6V12057657 (Modbus communication profiles)	QAF21..		74 319 0399 0
			ASZ6.6	M4501.1	74 319 0750 0

Related documents such as environmental declarations, CE declarations, etc., can be downloaded at the following Internet address:

<http://siemens.com/bt/download>

Notes

Safety

CAUTION



National safety regulations

Failure to comply with national safety regulations may result in personal injury and property damage.

- Observe national provisions and comply with the appropriate safety regulations.

WARNING



Tensioned return spring

Opening the actuator housing can release the highly tensioned return spring, which can lead to flying parts and injuries.

- Do not open the actuator housing.

⚠ WARNING



Risk of injury through broken housing or cover

Dismounting the actuator with broken housing from the valve can release the highly tensioned return spring, which can lead to flying parts and injuries.

- NEVER dismount actuator from valve.
- Dismount valve-actuator combination (control device) as complete unit.
- Disassembly only by qualified personnel.
- Send the control device along with an error report to the local Siemens office for analysis and disposal.
- Mount new control device (valve and actuator) properly.

⚠ WARNING



Risk of burns from hot actuator brackets

The actuator brackets on heating plants will become hot from contact with the hot valve during operation. The temperature of the actuator bracket can reach 100 °C.

When servicing the actuator:

- Switch off both pump and operating voltage.
- Close the main shut-off valve in the piping.
- Release pressure in the pipes and allow them to cool off completely.

Engineering

Perform the electrical connections in accordance with local regulations on electrical installations, as well as the section "Connection diagrams [▶ 27]".

NOTICE



Using a safety limiter

Failure to comply with the applicable regulations for cable insulation may result in the suspension of the safety limiter function.

- Compliance with all applicable regulations for cable insulation must be ensured by the plant operator.

⚠ WARNING



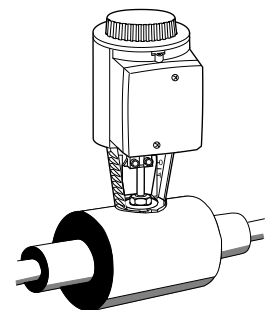
Risk of injury and fire from hot device parts

For media below 0 °C, the stem heater ASZ6.6 keeps the valve stem free of ice. In this case, the actuator bracket and the valve stem must not be insulated in order to ensure air circulation.

Touching heated parts without safety measures leads to burns.

- For safety reasons, the stem heater is operated with AC 24 V / 30 W.

Recommendation: For media above 140 °C, the valve must be insulated.



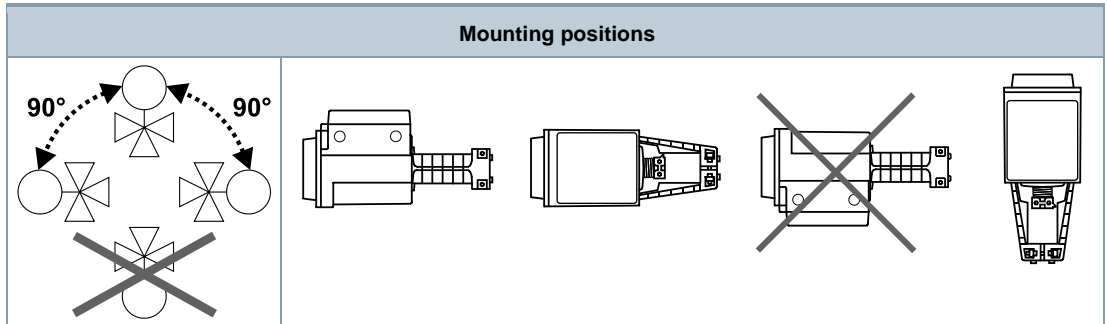
Observe permissible temperatures, see "Use [▶ 2]" and "Technical data [▶ 19]".

If an auxiliary switch is used, its switching point should be indicated on the plant schematic.

Every actuator must be driven by a dedicated controller, see "Connection diagrams [▶ 27]".

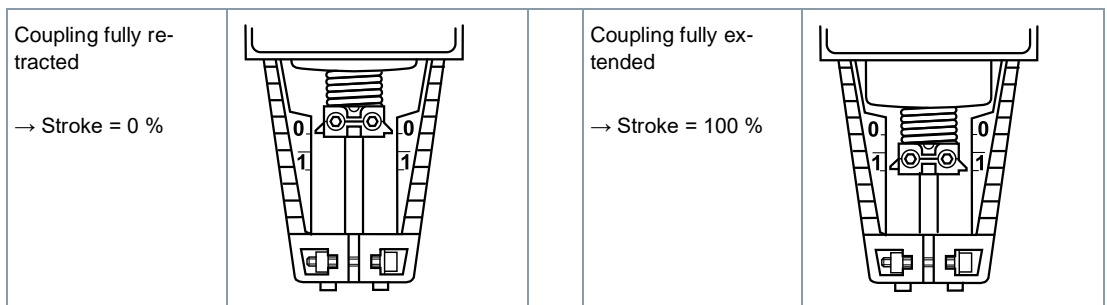
Mounting

The mounting instructions M3250 / 74 319 0325 0 for fitting the actuator to the valve and A5W00027551 for SKD62/MO are enclosed in the actuator packaging. The instructions for accessories are enclosed with the accessories themselves (see "Product documentation [▶ 14]").

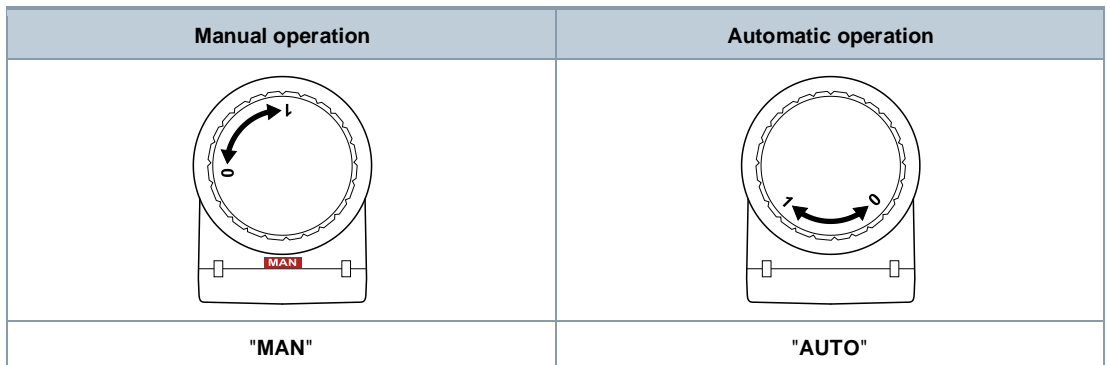


Commissioning

When commissioning the system, check the wiring and functions, and set any auxiliary switches and potentiometers as necessary, or check the existing settings.





The hand crank must be rotated counter-clockwise to the end stop, i.e. until the red indicator marked "MAN" is no longer visible. This closes the Siemens valves of the series VVF..., VVG..., VXF.. and VXG.. (stroke = 0 %).



The actuators are maintenance-free.

Servicing the control device:

⚠ WARNING	
	<p>Risk of burns from hot actuator brackets</p> <p>The actuator brackets on heating plants will become hot from contact with the hot valve during operation. The temperature of the actuator bracket can reach 100 °C.</p> <p>When servicing the actuator:</p> <ul style="list-style-type: none">• Switch off both pump and operating voltage.• Close the main shut-off valve in the piping.• Release pressure in the pipes and allow them to cool off completely.

⚠ WARNING	
	<p>Risk of injury</p> <ul style="list-style-type: none">• Disconnect electrical connections from the terminals as needed.• The actuator must be properly installed prior to recommissioning the valve.




Recommendation SKD6..:

Trigger stroke calibration after maintenance.

Repair:

See "Spare parts [▶ 12]"

⚠ WARNING	
	<p>Risk of injury through broken housing or cover</p> <p>Dismounting the actuator with broken housing from the valve can release the highly tensioned spring-return, which can lead to flying parts and injuries.</p> <ul style="list-style-type: none">• NEVER dismount actuator from valve.• Dismount valve-actuator combination (control device) as complete unit.• Disassembly only by qualified personnel.• Send the control device along with an error report to the local Siemens office for analysis and disposal.• Mount new control device (valve and actuator) properly.

Disposal

⚠ WARNING



Tensioned return spring

Opening the actuator housing can release the highly tensioned return spring, which can lead to flying parts and injuries.

- Do not open the actuator housing.




This symbol or any other national label indicate that the product, its packaging, and, where applicable, any batteries may not be disposed of as domestic waste. Delete all personal data and dispose of the item(s) at separate collection and recycling facilities in accordance with local and national legislation.

For additional details, refer to [Siemens information on disposal](#).

Warranty

The application-specific technical data is guaranteed only in combination with the Siemens products listed in the "Equipment combinations" section. If third-party products are used, any guarantee provided by Siemens will be invalidated.

Power supply		
Operating voltage		
	SKD32..	AC 230 V ± 15 %
	SKD82..	AC 24 V ± 20 % (SELV/PELV)
	SKD6..	
Frequency		50 / 60 Hz
Maximum power consumption at 50 Hz		
	SKD32.21	16 VA / 12 W
	SKD32.50	11 VA / 8 W
	SKD32.51	17 VA / 12 W
	SKD82.50, SKD82.50U	9 VA / 7 W
	SKD82.51, SKD82.51U	14 VA / 10 W
	SKD60..	10 VA / 8 W
	SKD62..	14 VA / 10 W
External supply cable fuse		
	SKD32..	Min. 0.5 A, slow Max. 6 A slow
	SKD82..	Min. 1 A, slow Max. 10 A slow
	SKD6..	

Function data			
Positioning time at 50 Hz ¹⁾			
	SKD32.21	Opening	30 s
		Closing	10 s
	SKD32..	Opening, Closing	120 s
	SKD82..		
	SKD6..	Opening	30 s
		Closing	15s
Spring-return time ¹⁾			
	SKD32.21, SKD32.51	8 s	
	SKD82.51, SKD82.51U		
	SKD62..	15 s	
Positioning force		1000 N	
Nominal stroke		20 mm	
Maximum permissible medium temperature (fitted valve)		-25...150 °C	
		< 0 °C: Requires stem heater ASZ6.6	

Signal inputs / signal outputs			
Control signal			
	SKD32..		3-position
	SKD82..		
	SKD6..		DC 0...10 V
			DC 4...20 mA
			0...1000 Ω
Positioning signal Y (SKD6..)			
	Input impedance	DC 0...10 V	100 kΩ
			DC 4...20 mA
	Signal resolution		< 1 %
	Hysteresis		1 %
Override control Z (SKD6..)			
	Resistor		0...1000 Ω
	Z not connected, priority terminal Y		No function
	Z connected directly to G		Max. stroke 100 %
	Z connected directly to G0		Min. stroke 0 %
	Z connected to M via 0...1000 Ω		Stroke proportional to R
Position feedback U (SKD6..)			
	Load impedance	DC 0...9.8 V	> 10 kΩ
			DC 4...19.6 mA

Additional functions SKD60 ²⁾ , SKD62UA			
Selection of direction of operation			
	SKD60, SKD62UA	Direct-acting / reverse-act- ing	DC 0...10 V / DC 10...0 V
			DC 4...20 mA / DC 20...4 mA
			0...1000 Ω / 1000...0 Ω
Stroke limit control			
	SKD62UA	Range of lower limit	0...45 % adjustable
			Range of upper limit
Sequence control		Terminal Y	
	SKD62UA	Start point of sequence	0...15 V adjustable
			Operating range of se- quence
Signal addition		Z connected to R of	
	SKD62UA	Frost protection monitor QAF21..	0...1000 Ω, added to Y signal
			Frost protection monitor QAF61..

Communication SKD62/MO		
Communication protocol		
	Modbus RTU	RS-485, not galvanically isolated
	Number of nodes	Max. 32
	Address range	1...245 / 255
	Factory setting	255
	Transmission formats	1-8-E-1 / 1-8-O-1 / 1-8-N-1 / 1-8-N-2
	Factory setting	1-8-E-1
	Baud rate (kBaud)	Auto / 9.6 / 19.2 / 38.4 / 57.6 / 76.8 / 115.2
	Factory setting	Auto
	Bus termination	120 Ω electronically switchable
	Factory setting	Off

Electrical connections and connecting cables		
Wire cross-sectional area		0.5...2.5 mm ² , AWG 21...14 ³⁾
Cable inlet		4 x M20 (Ø 20.5 mm)
	SKD..U	With knockouts for standard ½" conduit connectors (Ø 21.5 mm)
	SKD62/MO	Fixed connection cable
	Cable length	0.9 m
	Number of wires	5 x 0.75 mm ²

Degree and class of protection		
Protection class		As per EN 60730
	Automatic action	Type 1AA / Type 1AC / Modulation Action
	Pollution degree	2
Housing protection upright to sideways		IP54 as per EN 60529

Environmental conditions		
Operation		IEC 60721-3-3 (1994)
	Climatic conditions	Class 3K5
	Temperature, general	-15...50 °C
	Humidity (non-condensing)	5...95 % r.h.
Transportation		IEC 60721-3-2 (1994)
	Climatic conditions	Class 2K3
	Temperature	-30...65 °C
	Humidity (non-condensing)	5...95 % r.h.

Environmental conditions		
Storage		IEC 60721-3-1 (1994)
	Climatic conditions	
	Class 1K3	
	Temperature	-15...50 °C
	Humidity (non-condensing)	-5...95 % r.h.

Directives and standards		
Product standard		EN 60730-x
Electromagnetic compatibility (Applications)		For use in residential, commercial, and industrial environments
EU conformity (CE)		A5W00007752 ⁴⁾
UK conformity (UKCA)		A5W00221182A ⁴⁾
RCM conformity		A5W00007898 ⁴⁾
EAC conformity		Eurasia conformity for all SKD..
UL, cUL	AC 230 V	-
	AC 24 V	UL 873 http://ul.com/database

Environmental compatibility
The product environmental declarations CE1E4561enX1 (SKD32..., SKD82..) ⁴⁾ , CE1E4561enX2 (SKD6..) ⁴⁾ and A6V101083254 (external Modbus converter) ⁴⁾ contain data on environmentally compatible product design and assessments (RoHS compliance, material composition, packaging, environmental benefit, disposal).

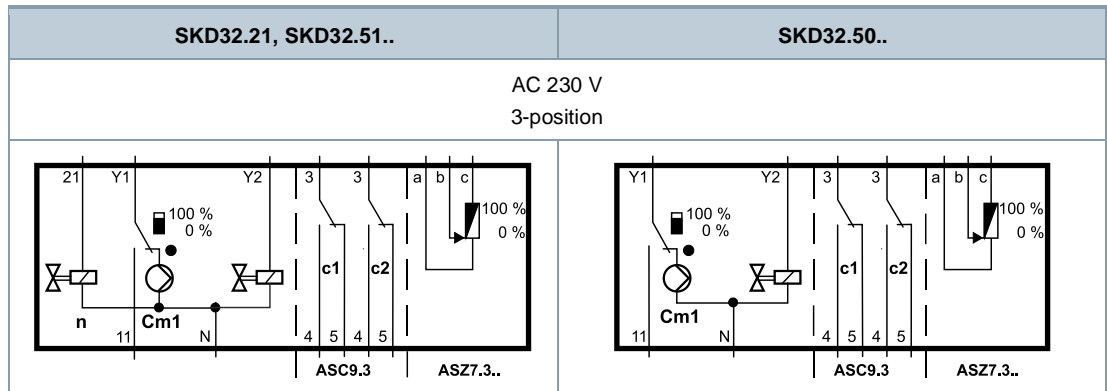
Dimensions / Weight		
Dimensions		See "Dimensions [▶ 31]"
Weight		
	SKD32.21	3.65 kg
	SKD32.50	3.60 kg
	SKD32.51	3.65 kg
	SKD82.50	3.60 kg
	SKD82.50U	3.85 kg
	SKD82.51	3.65 kg
	SKD82.51U	3.90 kg
	SKD60 SKD62, SKD62/MO	3.60 kg
	External Modbus converter	0.15 kg
	SKD62U, SKD62UA	3.85 kg
	Stroke inverter ASK50	1.10 kg

Materials	
Housing	Die-cast aluminium
Bracket	
Housing box	Plastic
Hand crank	

Accessories			
Auxiliary switch ASC1.6			
	SKD6..	Switching capacity	AC 24 V / 10 mA....4 A resistive / 2 A inductive
Double auxiliary switch ASC9.3			
	SKD32.., SKD82..	Switching capacity per auxiliary switch	AC 250 V / 6 A resistive / 2.5 A inductive
Potentiometer ASZ7.3			
	SKD32.., SKD82..	Change in overall resistance of potentiometer at nominal stroke	0...1000 Ω
Stem heater ASZ6.6			
		Operating voltage	AC 24 V ± 20 %
		Power consumption	40 VA / 30 W
		Inrush current	Max. 8.5 A (Max. temperature 85 °C / 185 °F)

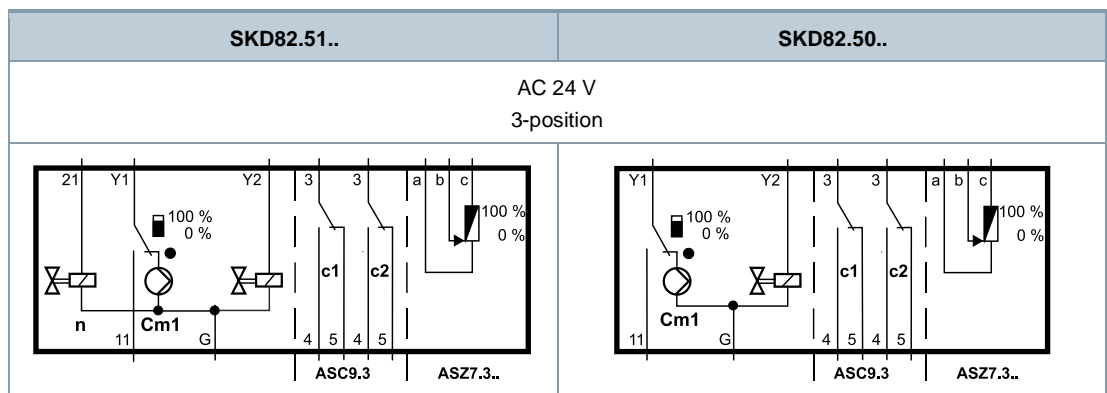
- 1) At room temperature (23 °C); low ambient temperatures or high Δp may prolong these times.
- 2) From version ..L onward
- 3) AWG = American wire gauge
- 4) The documents can be downloaded at <http://www.siemens.com/bt/download>

SKD32..



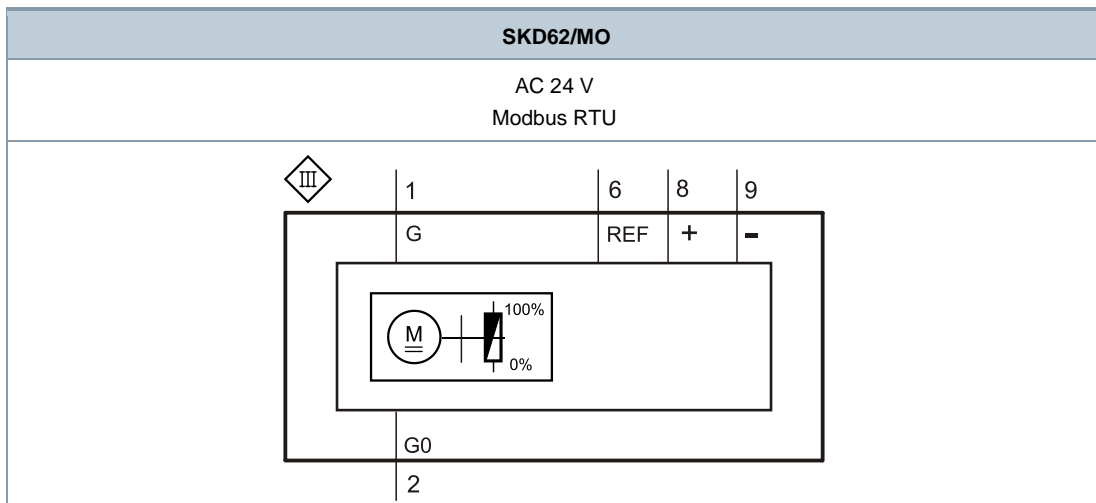
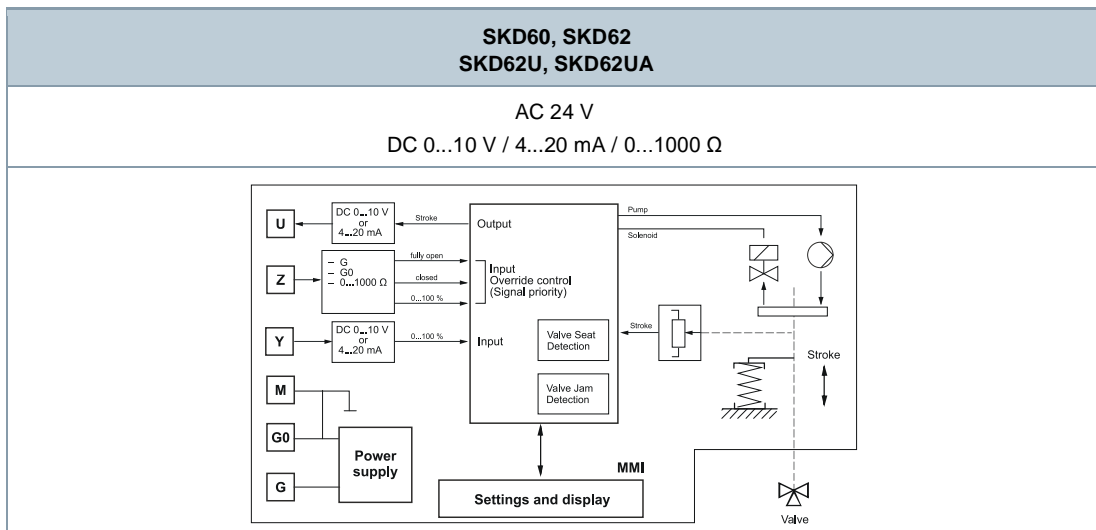
- | | |
|--|--|
| <p>Cm1 End switch</p> <p>n Solenoid valve for spring-return</p> <p>c1, c2 ASC9.3 double auxiliary switch</p> <p>a, b, c ASZ7.3 potentiometer</p> | <p>Y1 Positioning signal "open"</p> <p>Y2 Positioning signal "close"</p> <p>21 Spring-return function</p> <p>N Neutral conductor</p> |
|--|--|

SKD82..



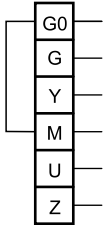
- | | |
|--|---|
| <p>Cm1 End switch</p> <p>n Solenoid valve for spring-return</p> <p>c1, c2 ASC9.3 double auxiliary switch</p> <p>a, b, c ASZ7.3 potentiometer</p> | <p>Y1 Positioning signal "open"</p> <p>Y2 Positioning signal "close"</p> <p>21 Spring-return function</p> <p>G System potential</p> |
|--|---|

SKD6..

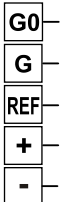


U	Position feedback	REF	Reference (Modbus RTU)
Z	Override control	+	Bus + (Modbus RTU)
Y	Positioning signal	-	Bus - (Modbus RTU)
M	Measuring neutral		
	G0		Operating voltage AC 24 V: System neutral (SN)
	G		Operating voltage AC 24 V: System potential (SP) De-energize for spring-return function

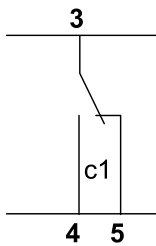
SKD6..

	AC 24 V	DC 0...10 V / 4...20 mA / 0...1000 Ω
	System neutral (SN)	
	System potential (SP)	
	Positioning signal DC 0...10 (30) V or DC 4...20 mA	
	Measuring neutral (= G0)	
	Position feedback DC 0...10 V or DC 4...20 mA	
	Override control ("Functions [▶ 7]")	

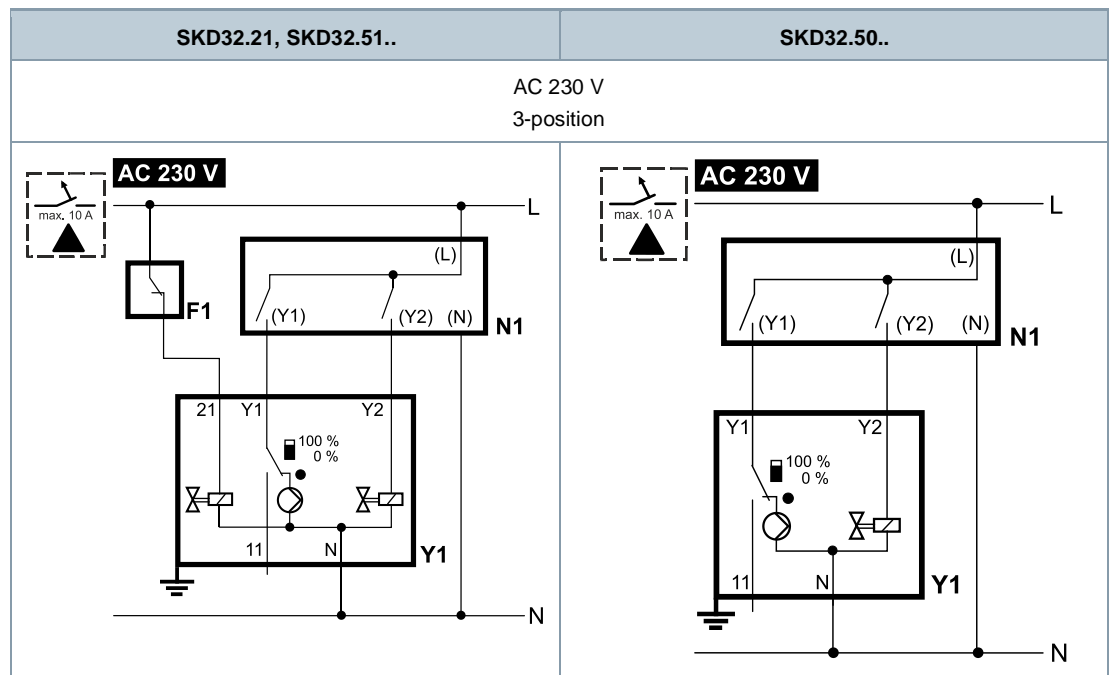
SKD62/MO

	AC 24 V	Modbus RTU connecting cable
	System neutral (SN)	black
	System potential (SP)	red
	Reference line (Modbus RTU)	purple
	Bus + (Modbus RTU)	gray
	Bus - (Modbus RTU)	pink

Auxiliary switch ASC1.6



SKD32..



F1 Safety limiter (e.g. temperature limiter)

N1, N2 Controller

Y1, Y2 Actuators

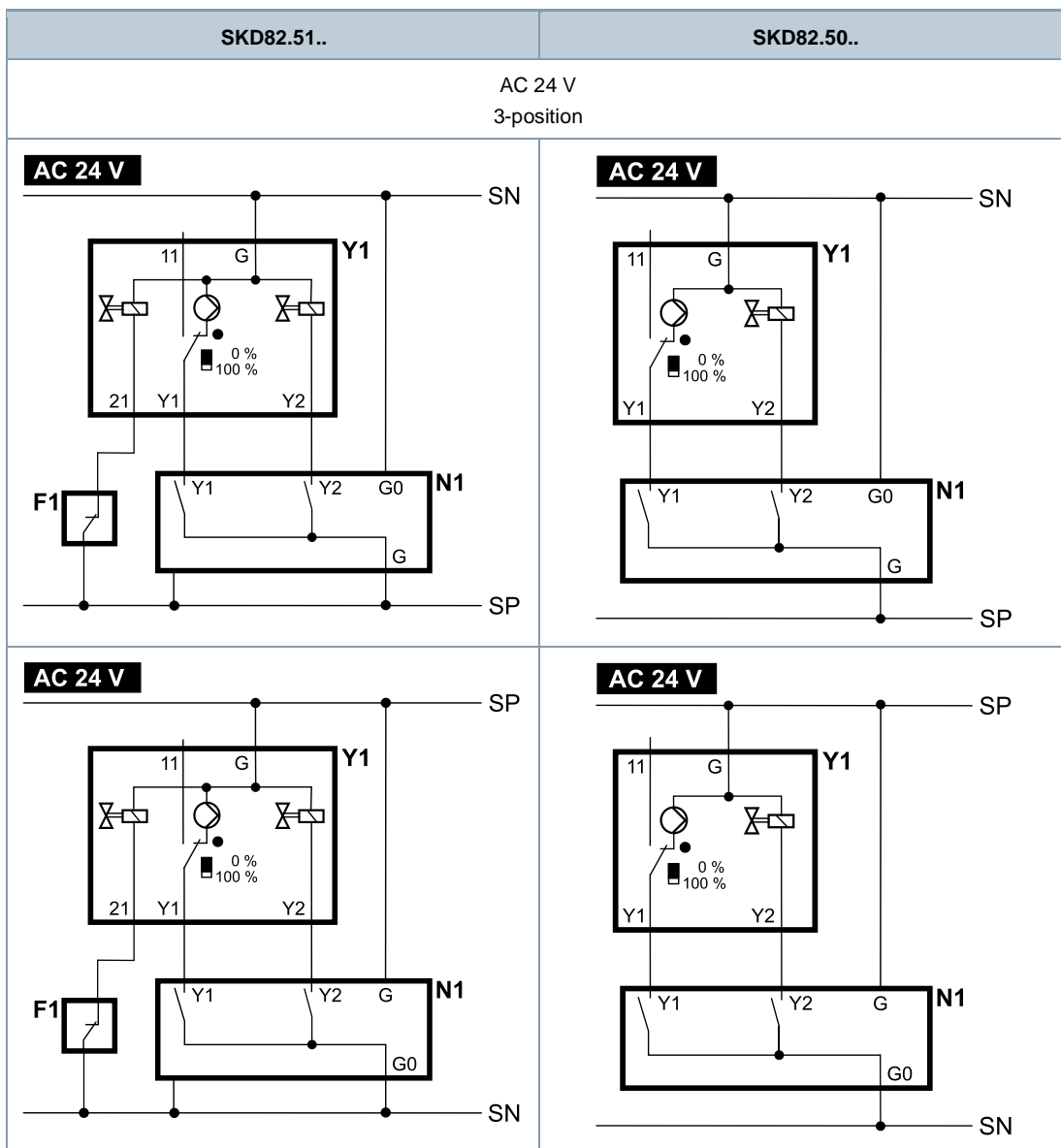
L Phase

N Neutral

Y1 Positioning signal "open"

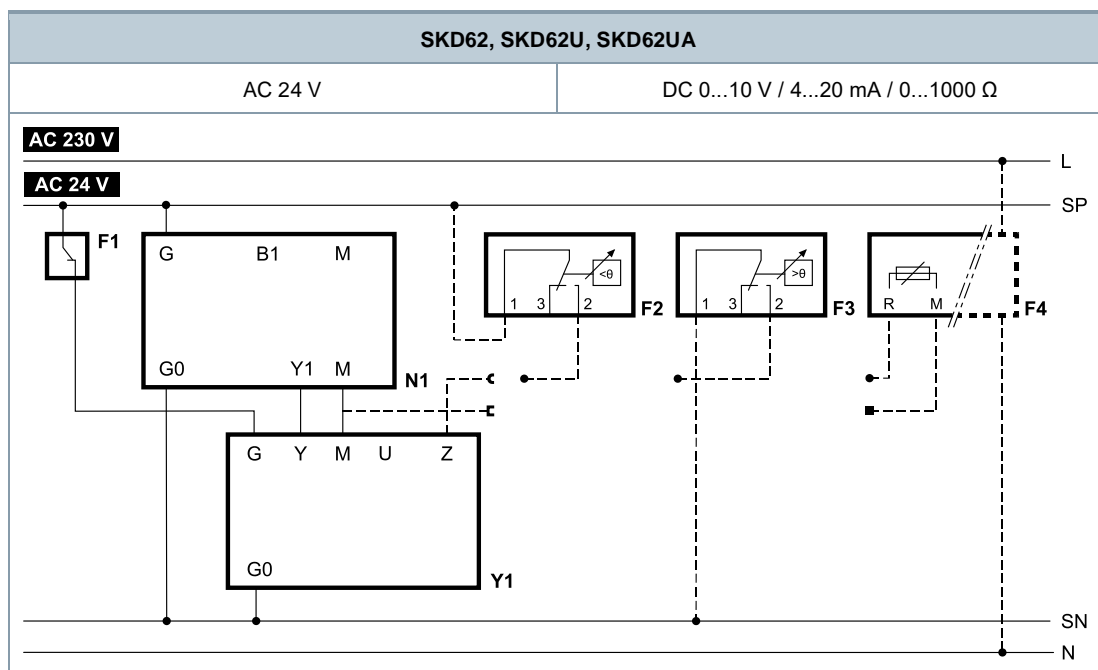
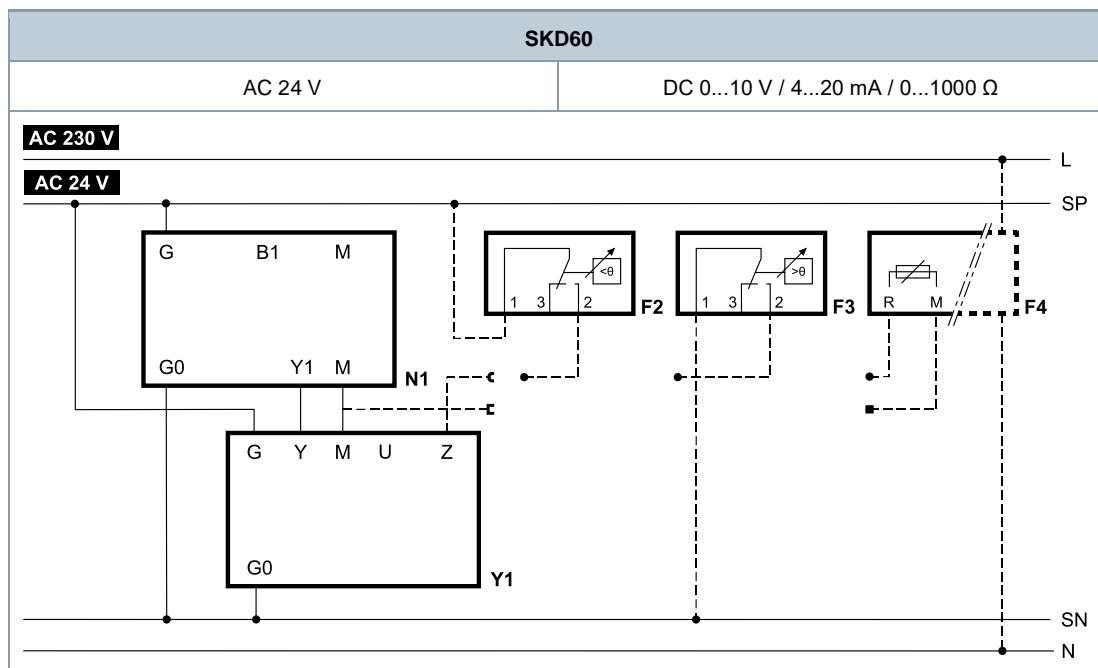
Y2 Positioning signal "close"

21 Spring-return function



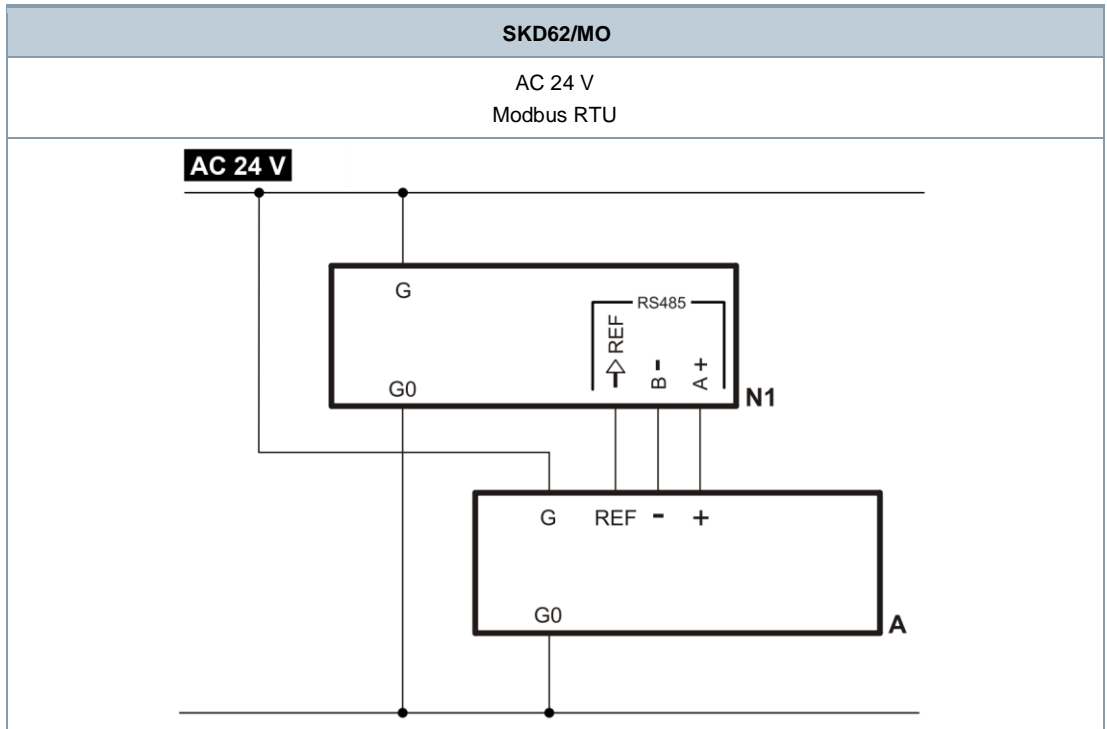
- | | | |
|---|------------------------------------|---------------------------------------|
| F1 Safety limiter (e.g. temperature limiter) | SP System potential AC 24 V | (Y1), (Y2) Controller contacts |
| N1, N2 Controller | SN System neutral | Y1 Positioning signal "open" |
| Y1, Y2 Actuators | | Y2 Positioning signal "close" |
| | | 21 Spring-return function |

SKD6..



- | | | | |
|-----------|---|--|---|
| Y1 | Actuator | F3 | Temperature detector |
| N1 | Controller | F4 | Frost protection monitor with 0...1000 Ω signal output, e.g. QAF21.. or QAF61.. (SKD62UA) only *) |
| F1 | Safety limiter (e.g. temperature limiter) | G (SP) | System potential AC 24 V |
| F2 | Frost protection thermostat | G0 (SN) | System neutral |
| Terminals | 1-2 | Frost hazard/sensor is interrupted (closes with frost) | |
| | 1-3 | Normal operation | |

*) Only SKD62UA: only with sequence control and the appropriate rotary switch settings, see "Electronics [▶ 5]", "Functions [▶ 6]"



A	Actuator	REF	Reference (Modbus RTU)
N1	Controller	+	Bus + (Modbus RTU)
G	System potential	-	Bus - (Modbus RTU)
G0	System neutral		

NOTICE

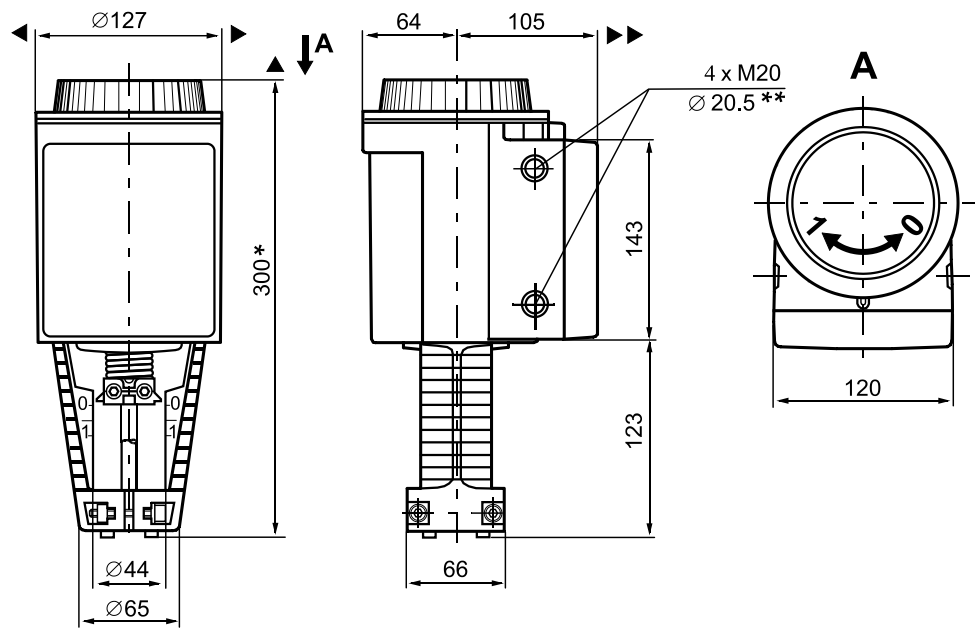


Using safety limiter F1

When using a safety limiter F1, ensure that no mistakes occur when insulating cables that may cancel out the temperature limiter function (applies to both 230 V as well as 24 V types).

- For SN grounding (e.g. PELV), comply under all circumstances with the note above.

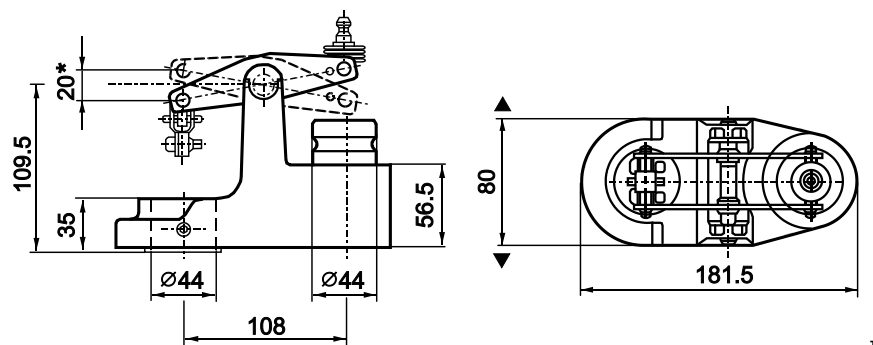
Actuator



Dimensions in mm

- * Height of actuator from plate **without** stroke inverter **ASK50 = 300 mm**
Height of actuator from plate **with** stroke inverter **ASK50 = 357 mm**
- ** **SKD..U: with knockouts for standard 1/2" conduit connectors ($\varnothing 21.5$ mm)**
- ▶ > 100 mm, minimum clearance from ceiling or wall for mounting
- ▶▶ > 200 mm, for connection, operation, maintenance, etc.

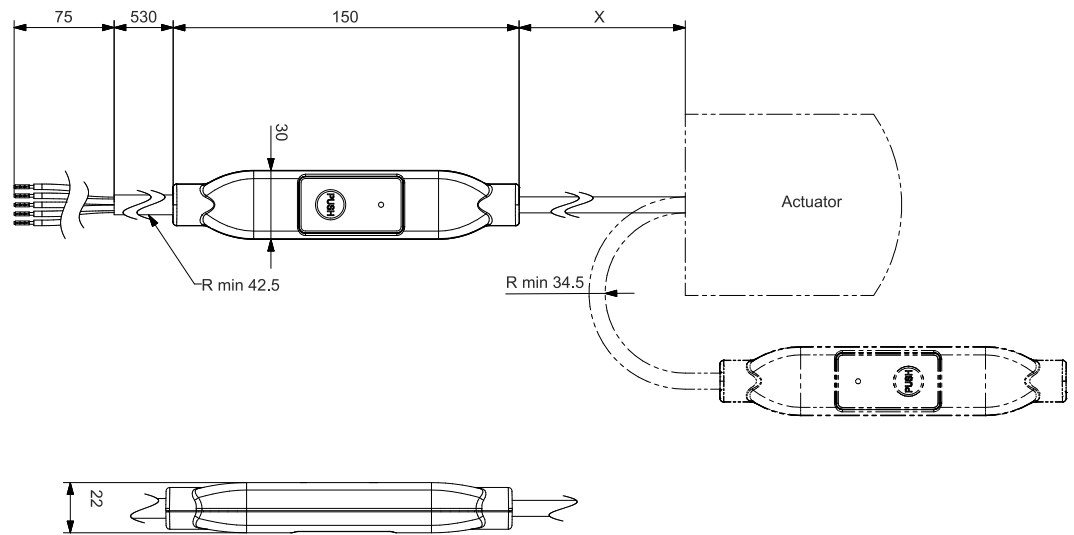
Stroke inverter ASK50



Dimensions in mm

- * Maximum stroke = 20 mm

External Modbus converter



Dimensions in mm

X 250 mm

Revision numbers

Type	Valid from rev no.	Type	Valid from rev no.
SKD32.21	..F	SKD60	..H
SKD32.50	..F	SKD62	..H
SKD32.51	..F	SKD62U	..H
SKD82.50	..F	SKD62UA	..H
SKD82.50U	..F	SKD62/MO	..I
SKD82.51	..F		
SKD82.51U	..F		

Issued by
Siemens Switzerland Ltd
Smart Infrastructure
Global Headquarters
Theilerstrasse 1a
CH-6300 Zug
+41 58 724 2424
www.siemens.com/buildingtechnologies

© Siemens 1998 - 2024
Technical specifications and availability subject to change without notice.

Document ID CM1N4561en
Edition 2024-11-27