

# Cerberus<sup>®</sup> PRO Specialized Detection Devices

## 'DB' Series Detector Bases Models DB2-HR, DB-11 and DB-11E

### Architect & Engineer Specifications

- ❑ Each detector base supports Isolation field wiring for ISOtechnology feature
- ❑ All bases compatible with optional Model LK-11 detector-locking kit
- ❑ Each detector base also functions with the addressable Models OH921, OP921, OOH941, OOH941 and HI921 intelligent detectors
- ❑ Model DB2-HR is compatible with ASAtechnology multi-criteria detectors
- ❑ Each detector base is compatible with Model 'H', "11" and "121" series of conventional detectors
- ❑ Model DB2-HR has backwards compatibility with Siemens Model 'H'-series intelligent detectors
- ❑ Models DB-11 and DB-11E mount on a 4-inch octagon, square or single-gang electrical box
- ❑ Model DB-11 has plugs to cover the outer-mounting screw holes
- ❑ Model DB2-HR mounts on a 4"-square, double-gang electrical box
- ❑ UL268 Listed, ULC-S529 Listed
- ❑ FM, CSFM and NYC Fire Department Approved

### Product Overview

The detector bases are low-profile, surface mounting bases used with various Siemens – Fire Safety conventional and addressable detectors. Model DB2-HR, which is a redesign of Model DB-HR, is compatible with the standard, addressable type of intelligent detectors, as well as the multi-criteria detection devices utilizing the patented ASAtechnology.<sup>™</sup>

Model DB2-HR supports operation with Siemens' 50-point addressable; 252-point addressable; 504-point addressable, and FireFinder<sup>®</sup> XLS / Modular fire systems. A relay output from the fire detector base for signaling other devices is provided by Model DB2-HR.

The detector bases use screw-clamp contacts for electrical connections and self-wiping contacts for increased reliability. Further, the bases can be used with the optional Model LK-11 detector locking kit, which contains 50 detector locks and an installation tool, to prevent unauthorized removal of the detector head.

### Specifications

Models DB-11 and DB-11E are standard bases for Model 'H'-series "11" and Model "121"-series conventional detectors. Model DB-11 has a 6" (15.2 cm) diameter, and the diameter for Model DB-11E is 4.5 inches (11.4 cm).

Moreover, Models DB-11 and DB-11E mount on a 4"-square, (10.2 cm) octagon or single-gang box. Model DB-11 has integral, decorative plugs to cover the outer screw holes.

However, Model DB2-HR mounts on a double-gang, 4-inch (10.2 cm.) square electrical box.



**Model DB-11**

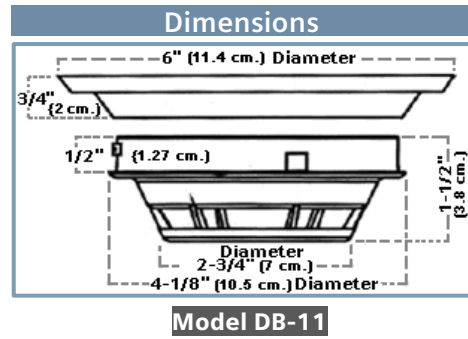
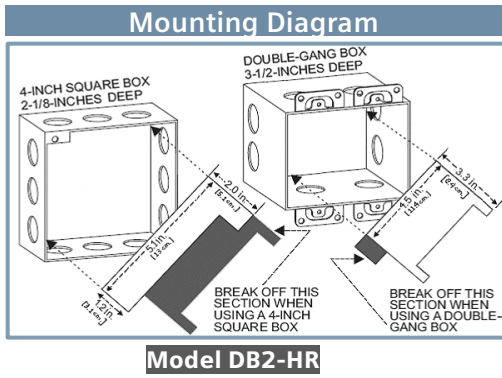


**Model DB2-HR**



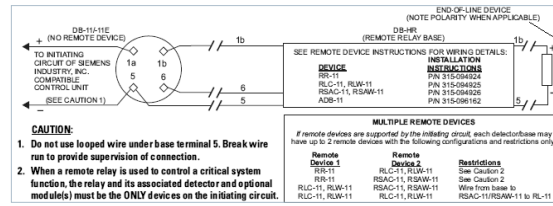
**Model DB-11E**



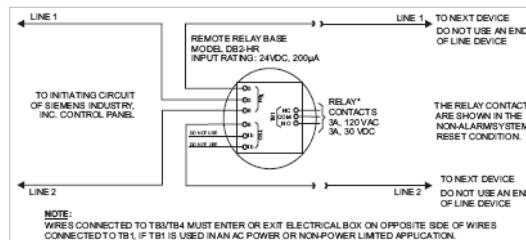
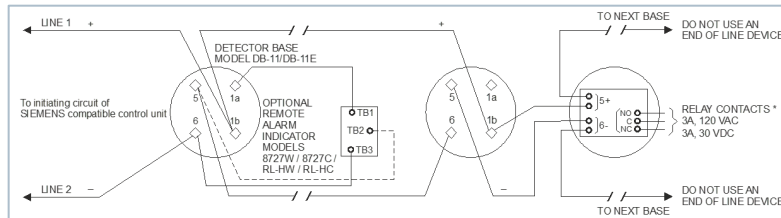
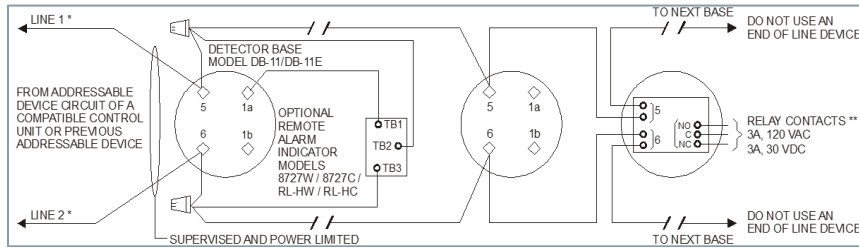


Note: The Model DB-11E base detector has a diameter dimension of 4.5" (11.4 cm).

## Wiring Diagrams



Note: The illustration above is typical wiring for Models DB-11 and DB-11E (using Models OH121, OP121, and HI121 detectors).



Note: The illustration above is typical wiring for Model DB2-HR for polarity-insensitive detectors.

Details for Ordering		
MODEL OR TYPE	PART NUMBER	PRODUCT
DB-11	500-094151	Low-Profile Surface-Mount Base
DB-11C	500-095687	Low-Profile Surface-Mount Base [Canada]
DB-11E	500-094151E	Smaller-Diameter Detector Base
DB-HR	500-033220	Relay Base for 'H'-Series Intelligent Detector
DB2-HR	S54370-F12-A1	Relay base compatible with standard and advanced detectors; backwards compatible with Model 'H'-series intelligent detectors
HI921	S54320-F5-A2	Thermal (Heat) Detector
OH921	S54320-F6-A2	Addressable Multi-Criteria Fire Detector
OP921	S54320-F4-A2	Photoelectric Smoke Detector
OOH941	S54320-F7-A2	Multi-Criteria Fire Detector with ASAtechnology™
OOHC941	S54320-F8-A2	Multi-Criteria Fire / CO Detector with ASAtechnology™
LK-11	500-695350	Base Locking Kit for Model '11'-series detectors
HI121	S54372-F3-A1	Heat Detector
OH121	S54372-F2-A1	Multi-Sensor Smoke Detector
OP121	S54372-F1-A1	Photoelectric Smoke Detector

**NOTICE** – The information contained in this data-sheet document is intended only as a summary, and is subject to change without notice. The product(s) described here has/have a specific instruction sheet(s) that cover various technical, limitation and liability information.

Copies of install-type, instruction sheets – as well as the *General Product Warning and Limitations* document, which also contains important data, are provided with the product, and are available from the Manufacturer.

Data contained in the aforesaid type of documentation should be consulted with a fire-safety professional before specifying or using the product.

Any further questions or assistance concerning particular problems that might arise, relative to the proper functioning of the equipment, please contact the Manufacturer.



**Cerberus® PRO**

Siemens Industry, Inc.  
 Smart Infrastructure - Building Products  
 2 Gatehall Drive • Parsippany, NJ 07054  
 Tel: (973) 593-2600

April - 2023  
 (Rev. 2)